

## 10 MAINTENANCE AND CLEANING

The following points have to be considered during the inspection:

- 1) All screws for installing the devices or parts of the device have to be tightly connected and must not be corroded.
- 2) There must not be any deformations on the housing, color lenses, fixations and installation spots (ceiling, suspension, trussing).
- 3) Mechanically moved parts must not show any traces of wearing and must not rotate with unbalances.
- 4) The electric power supply cables must not show any damage, material fatigue or sediments.

Further instructions depending on the installation spot and usage have to be adhered by a skilled installer and any safety problems have to be removed.



### CAUTION

Disconnect from mains before starting maintenance operation.



In order to make the lights in good condition and extend the life time, we suggest a regular cleaning to the lights.

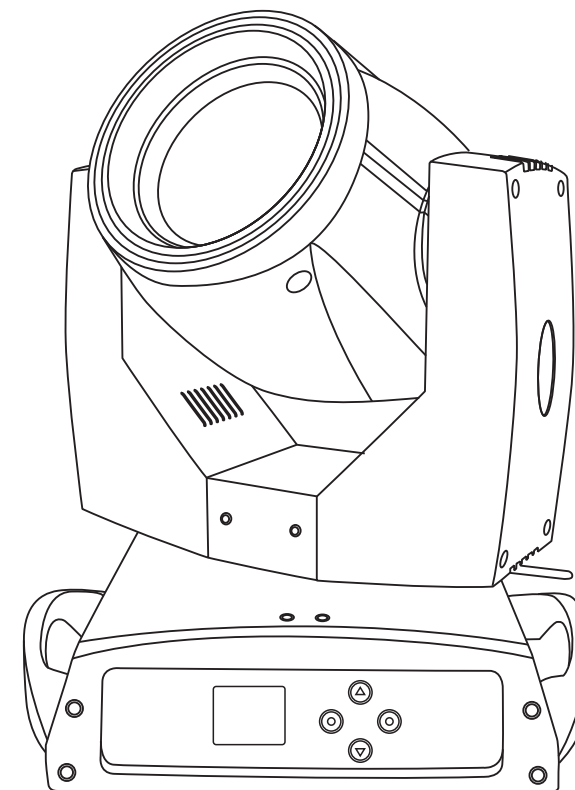
- 1) Clean the inside and outside lens each week to avoid the weakness of the lights due to accumulation of dust.
- 2) Clean the fan each week.
- 3) A detailed electric check by approved electrical engineer each three month, make sure that the circuit contacts are in good condition, prevent the poor contact of circuit from overheating.

We recommend a frequent cleaning of the device. Please use a moist, lint- free cloth. Never use alcohol or solvents.

There are no serviceable parts inside the device. Please refer to the instructions under "Installation instructions".

Should you need any spare parts, please order genuine parts from your local dealer.

# JUNIOR



## JNR BEAM 200 JNR-8069B

---

PR LIGHTING LTD.  
<http://www.pr-lighting.com>  
1582 Xingye Avenue, Nancun Panyu  
Guangzhou, 511442 China  
TEL: +86-20-3995 2888

# 1 SAFETY INSTRUCTIONS



## CAUTION

Becareful with your operations. With a dangerous voltage you cansuffer a dangerous electric shock when touching wires!

This device has left the factory in perfect condition. In order to maintain this condition and to ensure a safe operation, it is absolutely necessary for the user to follow the safety instructions and warning notes written in this user manual.



## IMPORTANT

Damages caused by the disregard of this user manual are not subject to warranty. The dealer will not accept liability for any resulting defects or problems.

If the device has been exposed to temperature changes due to environmental changes, do not switch it on immediately. The arising condensation could damage the device. Leave the device switched off until it has reached room temperature.

This device falls under protection-class I. Therefore it is essential that the device be earthed.

The electric connection must carry out by qualified person.

The device shall only be used with rate voltage and frequency.

Make sure that the available voltage is not higher than stated at the end of this manual.

Make sure the power cord is never crimped or damaged by sharp edges. If this would be the case, replacement of the cable must be done by an authorized dealer.

Always disconnect from the mains, when the device is not in use or before cleaning it. Only handle the power cord by the plug. Never pull out the plug by tugging the power cord.

During initial start-up some smoke or smell may arise. This is a normal process and does not necessarily mean that the device is defective, it should decrease gradually.

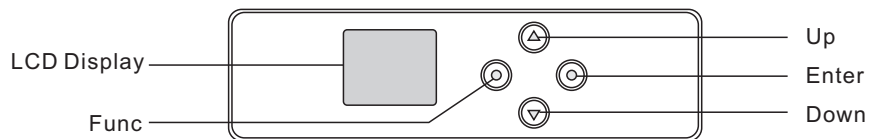
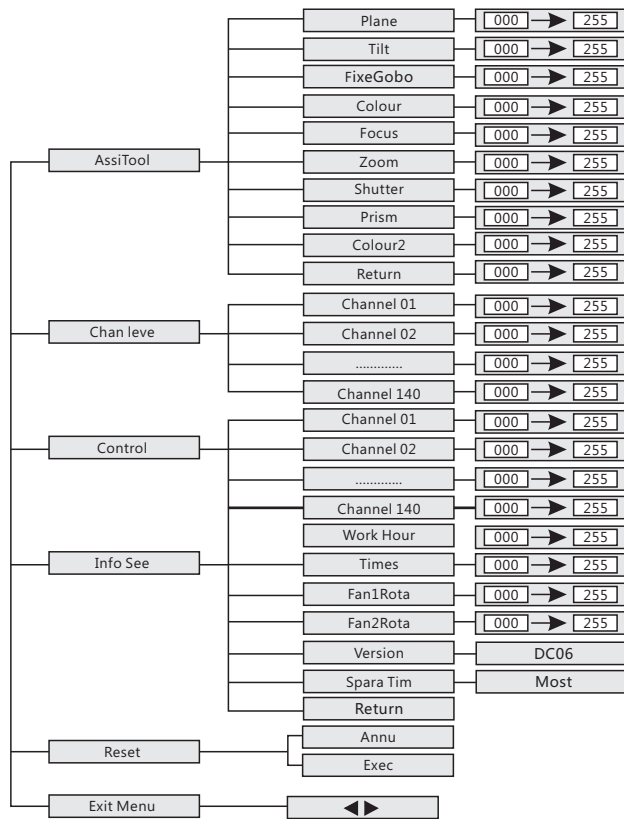
Please don't project the beam onto combustible substances.

Fixtures cannot be installed on combustible substances, keep more than 50cm distance with wall for smooth air flow, so there should be no shelter for fans and ventilation for heat radiation.

If the external flexible cable or cord of this luminaire is damaged, it shall be exclusively replaced by the manufacturer or his service agent or a similar qualified person in order to avoid a hazard.

# 9 DMX CHANNELS

Mode/Channel	Function	Values	Description				
16CH	20CH						
1	1	Color Wheel	0	Open/White			
			001-145	Color 1 to Color 29(Each color in 5 values)			
			146-150	Rotation in slow speed			
			151-254	No function			
			255	Rotation in fast speed			
			0-003	Shutter OFF			
			004	Strobe in slow speed			
			005-102	No function			
			103	Strobe in fast speed			
			104-107	Shutter ON			
2	2	Strobe	108	Pulse strobe in slow speed			
			109-206	Strobe			
			207	Pulse strobe in fast speed			
			208-212	Shutter ON			
			213-225	Random strobe in slow speed			
			226-238	Random strobe in medium speed			
			239-251	Random strobe in fast speed			
			252-255	Shutter ON			
			3	3	Dimmer	0-255	0-100% Linear dimmer
						0-004	Open/White
			4	4	Gobo Wheel	005-085	Gobo 1 to Gobo 17(Each gobo in 5 values)
						090	Backward fast rotation
						091-128	Backward fast to slow rotation, in gradual slow down
						129	Backward slow rotation
130-134	Open/White						
135	Forward slow rotation						
136-169	Forward slow to fast rotation, in gradual fast down						
170	Forward fast rotation						
171	Gobo 1 shaking in slow speed						
172-175	Gobo 1 shaking in fast speed						
176	Gobo 2 shaking in slow speed						
177-180	Gobo 2 shaking in fast speed						
181-255	Gobo 3 to Gobo 17 shaking (same as above)						
5	5	Prism				0-127	Prism swing in
						128-255	Prism swing out
6	6	Prism Rotation				0-127	Prism angle adjust
						128	Backward fast rotation
						129-189	Backward fast to slow rotation
			190	Backward slow rotation			
			191-192	Stop			
			193	Forward slow rotation			
			194-254	Forward slow to fast rotation			
			255	Forward fast rotation			
7	7	No use	0-255	This channel is not activated			
8	8	Frost	0-127	No frost			
			128-255	Frost			
9	9	Focus	0-255	0-100% Linear focus			
10	10	PAN	0-255	Pan movement			
11	11	PAN Fine	0-255	Fine control of Pan movement			
12	12	TILT	0-255	Tilt movement			
13	13	Tilt Fine	0-255	Fine control of Tilt movement			
14	14	No use	0-255	This channel is not activated			
15	15	Reset	0-025	No function			
			026-076	Other motors reset			
			077-127	PAN/TILT motors reset			
			128-255	All motors reset			
16	16	Lamp Control	0-009	No function			
			010-100	Lamp OFF			
			101-255	Lamp ON			
17	PAN/TILT Time	0	PAN/TILT in fast speed				
		0-254	No Function				
		255	PAN/TILT in slow speed				
18	Color Time	0	Color wheel in fast speed				
		0-254	No Function				
		255	Color wheel in slow speed				
19	Dimmer Prism Frost Time	0	Dimmer/Prism/Frost in fast speed				
		0-254	No Function				
		255	Dimmer/Prism/Frost in slow speed				
20	Gobo Time	0	Gobo wheel in fast speed				
		0-254	No Function				
		255	Gobo wheel in slow speed				

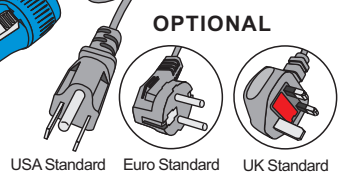
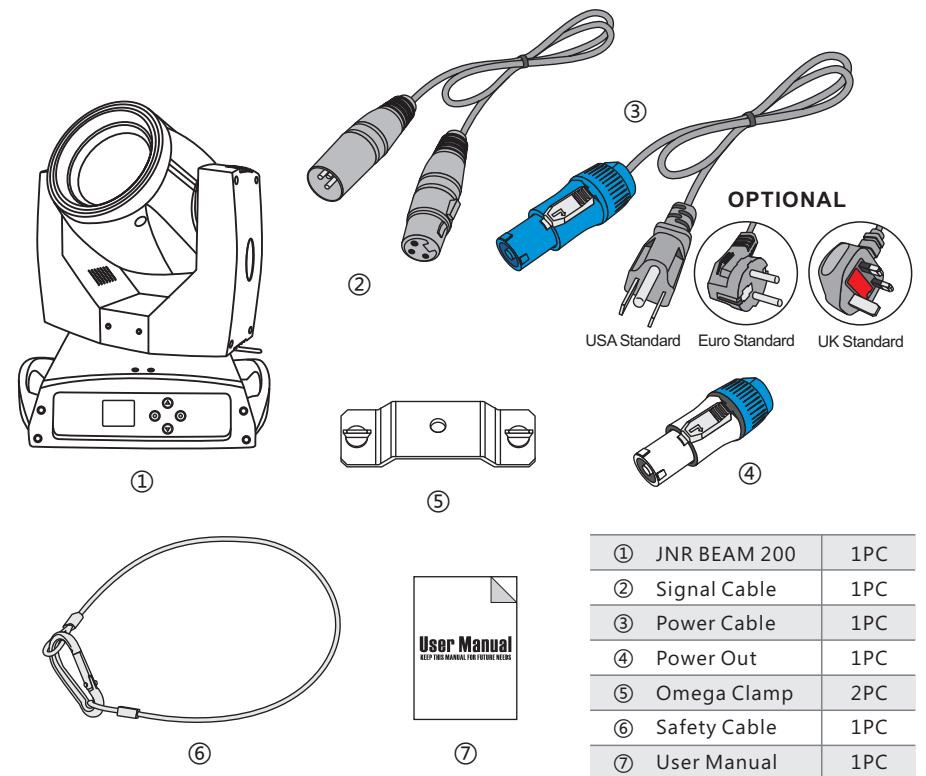


## 2 UNPACKING

Thank you for choosing our JNR BEAM 200 . For your own safety, please read this manual before installing the device. This manual covers the important information on installation and applications. Please install and operate the fixture with following instructions. Meanwhile, please keep this manual well for future needs.

The JNR BEAM 200 is made of a new type of high temperature strength of engineering plastics and cast aluminum casing with nice outlook. The fixture is designed and manufactured strictly following CE standards, complying with international standard DMX512 protocol. It's available independently controlled and linkable with each other for operation. And it is applicable for small to medium live performances, theater, studio, nightclubs and discos.

The JNR BEAM 200 adopts 1PCS 189W PHILIPS lamp which features high brightness and stability. Please carefully unpack it when you receive the fixture and check whether it is damaged during the transportation. And please check whether the following items are included inside the box:



①	JNR BEAM 200	1PC
②	Signal Cable	1PC
③	Power Cable	1PC
④	Power Out	1PC
⑤	Omega Clamp	2PC
⑥	Safety Cable	1PC
⑦	User Manual	1PC

### 3 FEATURES & SPECIFICATIONS

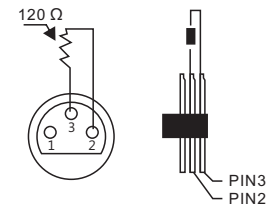
#### Features

- 1PCS 189W PHILIPS lamp
- 2000 hours lifespan and low power consumption
- 43670LUX at 20 meters
- 3.8° beam angle
- No need for adjustment of reflector or lamp
- Anti-reflection lenses
- 1 color wheel with total 14 colors plus open
- Variable direction rainbow effect with speed adjustable
- 1 static gobo wheel with 17 gobos plus open
- 1 rotatable 8-facet prism with speed adjustable and variable direction
- Variable Frost Filter (Hybrid effect for Wash)
- Dual flag mechanical dimming system
- Variable speed strobe effect
- Preset variable/random strobe and dimming pulse effects
- Motor driven focus from near to far
- 540° PAN and 270° TILT movement
- Automatic Pan / Tilt position correction
- 16 bit smooth and precise resolution for PAN/TILT movement
- Blue LCD Display
- 16/20 DMX channels USITT DMX-512
- DMX, stand-alone, master/slave, sound activated mode
- DMX recorder and edit function integrated
- 3-pin or 5-Pin XLR serial input/output
- Fan cooling system
- 2 x 1/4 turn fastening Omega Clamps
- Electronic ballast and power supply

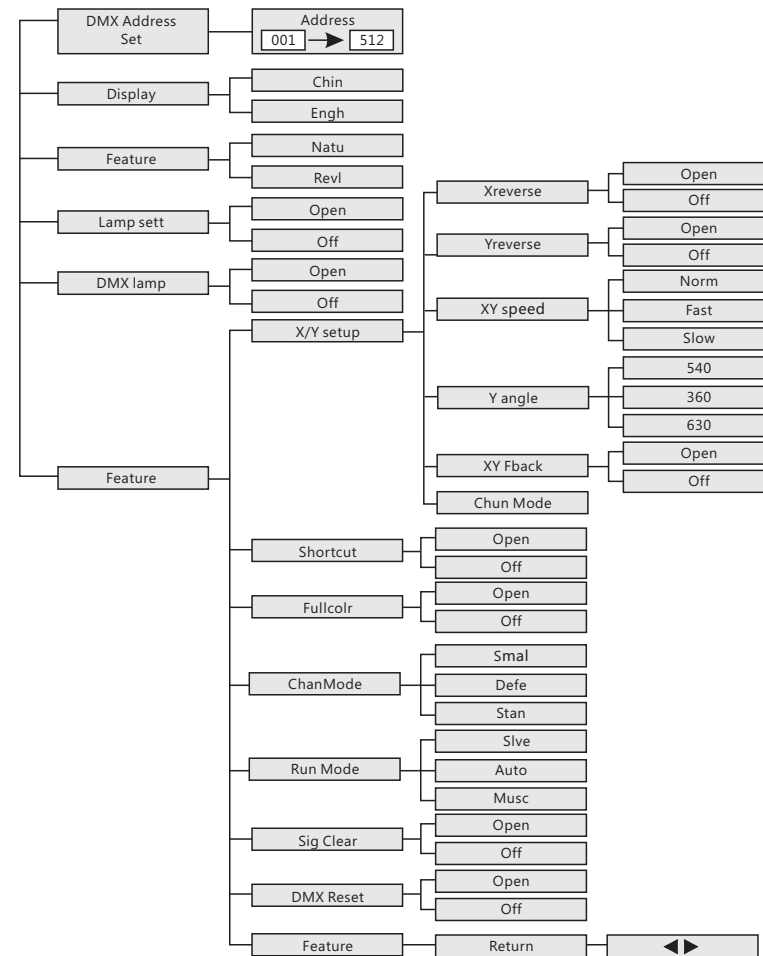
#### Specifications

- Input Voltage:** AC90-260V 50/60Hz
- LED Quantities:** 1PCS 189W PHILIPS lamp
- Control Signal:** DMX512, master-slave and sound activated or auto operation
- Control Channel:** 16/20 DMX Channels switchable
- Power Consumption:** 270W
- Dimensions:** 405(D)\*335(W)\*473(H)mm
- Packing Dimensions:** 550(D)\*455(W)\*410(H)mm
- Net Weight:** 16.04kg
- Gross Weight:** 18.24kg

For installations where the DMX cable has to run a long distance or is in an electrically noisy environment, such as in a discotheque, it is recommended to use a DMX terminator. This helps in preventing corruption of the digital control signal by electrical noise. The DMX terminator is simply an XLR plug with a 120 Ω resistor connected between pins 2 and 3, which is then plugged into the output XLR socket of the last fixture in the chain. Please see illustrations below.



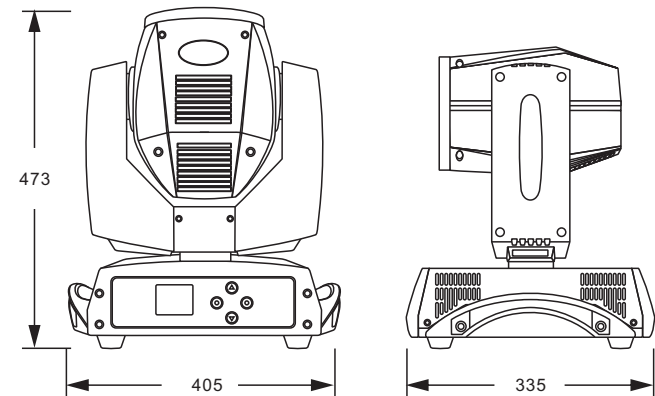
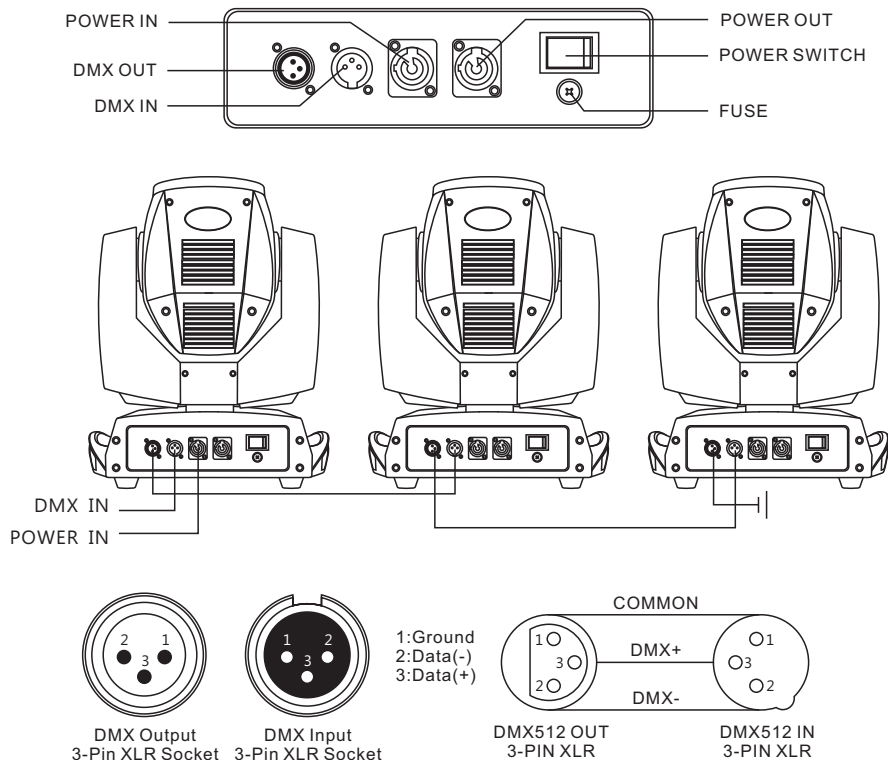
### 8 MENU OPERATIONS



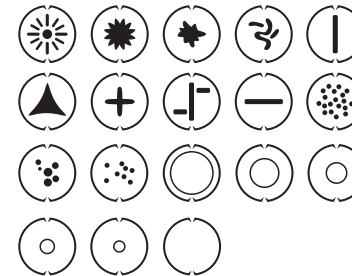
Regardless of the rigging option you choose for your JNR BEAM 200, always be sure to secure your fixture with a safety cable. The fixture provides a built-in rigging point for a safety cable on the hanging bracket as illustrated above. Be sure to only use the designated rigging point for the safety cable and never secure a safety cable to a carrying handle.

## 7 DMX-512 CONTROL CONNECTIONS

Connect the provided XLR cable to the female 3-pin XLR output of your controller and the other side to the male 3-pin XLR input of the moving head. You can chain multiple Moving head together through serial linking. The cable needed should be two core, screened cable with XLR input and output connectors. Please refer to the diagram below. DMX-512 connection with DMX terminator



Static gobos

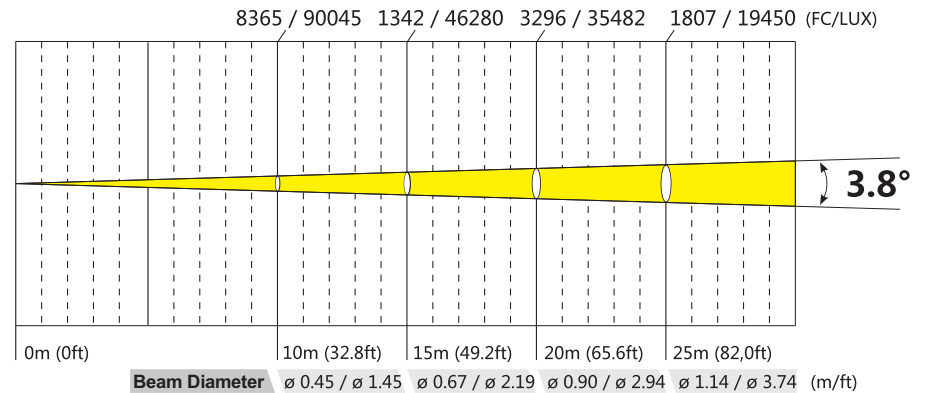


Colors



## 4 PHOTOMETRIC DATA

Photometric Beam Angle Data  $3.8^\circ$  Beam Angle  $LUX \times 0.0929 = FC$



## 5 OPERATION INSTRUCTIONS

- The JNR BEAM 200 is for beam effect for on-site decoration purpose.
- Don't turn on the fixture if it's been through severe temperature difference like after transportation because it might damage the light due to the environment changes. So make sure to operate the fixture until it is in normal temperature.
- This light should be keep away from strong shaking during any transportation or movement.
- Don't pull up the light by only the head, or it might cause damages to the mechanical parts.
- Don't expose the fixture in overheat, moisture or environment with too much dust when installing it. And don't lay any power cables on the floor. Or it might cause electronic shock to the people.
- Make sure the installation place is in good safety condition before installing the fixture.
- Make sure to put the safety chain and check whether the screws are screwed properly when installing the fixture.
- Make sure the lens are in good condition. It's recommended to replace the units if there are any damages or severe scratch.
- Make sure the fixture is operated by qualified personnel who knows the fixture before using.
- Keep the original packages if any second shipment is needed.
- Don't try to change the fixtures without any instruction by the manufacturer or the appointed repairing agencies.
- It is not in warranty range if there are any malfunctions from not following the user manual to operate or any illegal operation, like shock short circuit, electronic shock, lamp broke, etc.

## 6 INSTALLATIONS

**Cautions:** For added protection mount the fixtures in areas outside walking paths, seating areas, or in areas were the fixture might be reached by unauthorized personnel.

Before mounting the fixture to any surface, make sure that the installation area can hold a minimum point load of 10 times the device's weight.

Fixture installation must always be secured with a secondary safety attachment, such as an appropriate safety cable.

Never stand directly below the device when mounting, removing, or servicing the fixture.

from a ceiling, or set on a flat level surface (see illustration below). Be sure this fixture is kept at least 0.5m (1.5 ft) away from any flammable materials (decoration etc.).

Always use and install the supplied safety cable as a safety measure to prevent accidental damage and/or injury in the event the clamp fails.

**Mounting points:** Overhead mounting requires extensive experience, including amongst others calculating working load limits, a fine knowledge of the installation material being used, and periodic safety inspection of all installation material and the fixture. If you lack these qualifications, do not attempt the installation yourself. Improper installation can result in bodily injury.

Be sure to complete all rigging and installation procedures before connecting the main power cord to the appropriate wall outlet.

**Clamp mounting:** The JNR BEAM 200 provides a unique mounting bracket assembly that integrates the bottom of the base, the included "Omega Bracket," and the safety cable rigging point in one unit (see the illustration below). When mounting this fixture to truss be sure to secure an appropriately rated clamp to the included omega bracket using a M10 screw fitted through the center hole of the "omega bracket". As an added safety measure be sure to attached at least one properly rated safety cable to the fixture using on of the safety cable rigging point integrated in the base assembly.

