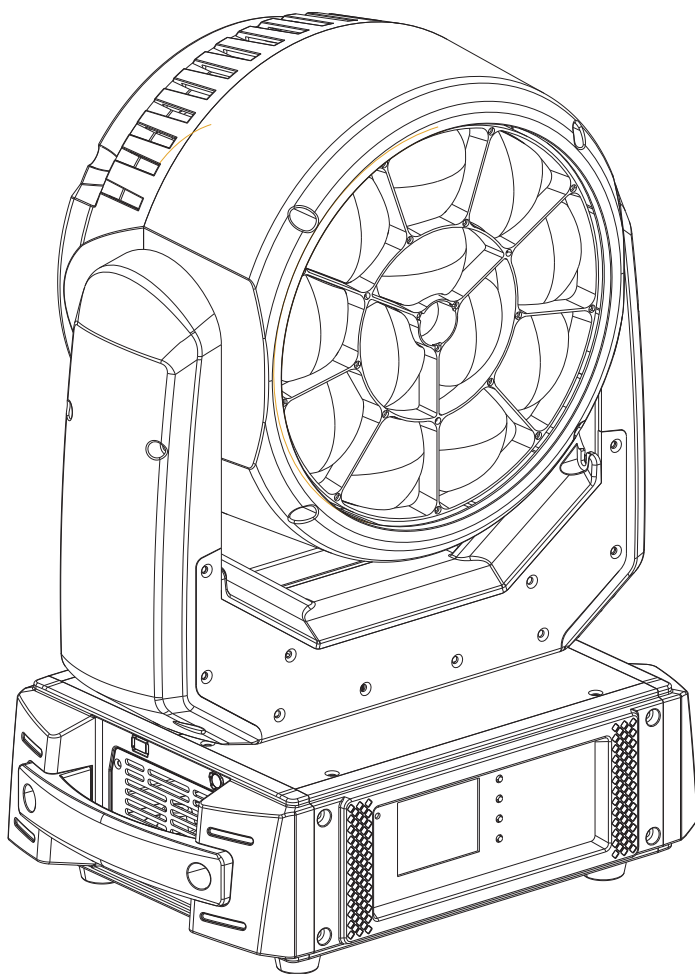


# ***USER MANUAL***



**CE**

*Version:1.0*

***MOVING HEAD***



## Table of content

1.Open–Package guidelines.....	1
1.1 Package.....	1
2.Safety instructions.....	1
3.Operating determination.....	3
4.Rigging the fixture.....	4
4.1 Mounting.....	4
4.2Installing the Clamps.....	4
4.3 Power supply connection and cut off.....	5
4.4 Power Connection.....	6
4.5 DMX–512 connection/connection between fixtures.....	6
5.Description of the device.....	7
6.Dimension.....	8
7.Display control.....	9
7.1 Navigation in the Menu.....	9
7.2 Display Operation.....	9
7.3 Menu list.....	10
8.DMX protocol.....	11
8.1 Unit model.....	11
9.Maintance and cleaning.....	14
10.Electric equipment specification.....	14
10.1 Electrical paramters.....	14
10.2 Weight and dimensions.....	14
10.3 Channel Characteristics.....	14
10.4 Menu Function.....	15
10.5 light table.....	15
11.Electronic drawing.....	16

Congratulations on choosing our products! Please carefully read this instruction manual in its entirety and keep it well for using reference. This manual contained about the installation and the relative using information of this products. Plese refere this manual's relative instruction when using this equipment.

---

## 1. Open-Package guidelines

This equipment is made of new style, high intensity plastic. It fully shows the modern times light characteristic with beauty structure. And it is made according to CE standard. Fully agree with the international standard of DMX512 agreement.

When receive the product, please be careful to take and put, check if the product has damage or not because of transportation, and check the following parts:

- |                     |                     |
|---------------------|---------------------|
| 1. Signal cable-1PC | 2. Safety cable-1PC |
| 3. User Manual-1PC  | 4. Omega holder-1PC |
| 5. Power cable-1PC  | 5. Service card-1PC |

### 1.1 Package

Unpacking the fixture

1. Open the flight case cover
2. With one person on each side, lift the fixture out of the flight case.

Packing the fixture

1. Disconnect the fixture from power and allow it to cool.
2. Place the fixture in the bottom of the flight case, and cover the case without forcing.



Note: to prevent the lamp damaged, focusing lens must return, can be placed in the box.

## 2. Safety instructions

Every person involved with installation and maintenance of this device to:

- Be qualified
- Follow the instructions of this manual.



This device has been shipped with our premises in absolutely perfect condition. In order to maintain this condition and to ensure a safe operation, it is absolutely necessary for the user to follow the safety instructions and warning notes written in this manual.

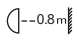




### Important:

- The manufacturer will not accept liability for any resulting damages caused by the nonobservance of this manual or any unauthorized modification to the device.
- Please consider that damages caused by manual modifications to the device are not subject to warranty.

- Never let the power-cord come into contact with other cables! Handle the power cord and all connections with particular caution!
- Make sure that the available voltage is not higher than stated on the rearpanel.
- Always plug in the power plug least. Make sure that the power-switch is set to off-position before you connect with themains with particular caution!
- Make sure that the power-cord is never crimped or damaged by sharp edges. Check the device and the power-cord from time to time.
- Always disconnect from the mains, when the device is not in use or before cleaning it.
- Only handle the power-cord by the plug, Never pull out the plug by tugging the powercord.
- This device falls under protection class I. Therefore it is essential to connect the yellow/green conductor to earth.
- The electric connection, repairs and servicing must be carried out by a qualified employee.
- Do not connect this device to a dimmer pack.
- Do not switch the fixture on and off in short intervals as this would reduce the lamp's life.
- Do not touch the device's housing bare hands during its operation (housing becomes hot)!
- For replacement use lamps and fuses of same type and rating only.

### Eye damage!

**Avoid looking directly into the light source (meant especially for epileptics)!**

- |   |  |
|---|--|
|     | <ul style="list-style-type: none"> <li>➤ <b>Minimum distance of illuminated objects</b><br/>The projector needs to be positioned so that the objects hit by the beam of light are at least 0.8 metres from the lens of the projector.</li> </ul>   |
| <p>t<sub>a</sub> 40°C</p>   | <ul style="list-style-type: none"> <li>➤ <b>Maximum ambient temperature</b><br/>Do not operate the fixture if the ambient temperature (T<sub>a</sub>) exceeds 40°C (104°F).</li> </ul>   |
| <p>t<sub>c</sub> 80°C</p>   | <ul style="list-style-type: none"> <li>➤ <b>Temperature of the external surface</b><br/>The maximum temperature that can be reached on the external surface of the fitting, in a thermally steady state, is 80°C (176°F).</li> </ul>   |
| <p>IP20</p>   | <ul style="list-style-type: none"> <li>➤ <b>IP20 protection rating</b><br/>The fitting is protected against penetration by solid of over 12mm (0.47") in diameter (first digit 2), but not against dripping water, rain, splashes or jets of water (second digit 0).</li> </ul>  |
|    | <ul style="list-style-type: none"> <li>➤ <b>Indoor use only</b></li> </ul>   |
|   | <ul style="list-style-type: none"> <li>➤ <b>Not suitable for household illumination</b></li> </ul>   |
|  | <ul style="list-style-type: none"> <li>➤ <b>Photobiological Safety</b><br/>CAUTION. Do not look directly at the light source. Do not look at the light beam with optical devices or any other tool that could cause light convergence.<br/>The fixture must be positioned so that the minimum distance between the front lens and human eye is at least 3 metres to prevent personal photobiological risks.</li> </ul>   |
|  | <ul style="list-style-type: none"> <li>➤ <b>Mounting surfaces</b><br/>It is permissible to mount the fitting on normally flammable surfaces.</li> </ul>  |
| <p>CE</p>   | <ul style="list-style-type: none"> <li>➤ <b>The products to which this manual refers comply with the European Directives pursuant to:</b> <ul style="list-style-type: none"> <li>• Safety of electrical equipment supplied at low voltage (LVD)<br/>EN 60598-1:2015<br/>EN 60598-2-17:1989+A2:1991</li> <li>• Electromagnetic Compatibility (EMC)<br/>EN 55015:2013/A1:2015<br/>EN 61000-3-2:2014<br/>EN 61000-3-3:2013<br/>EN 61547:2019</li> <li>• Restriction of the use of certain hazardous substances (RoHS)<br/>2011/65/EU</li> </ul> </li> </ul> |



#### Protection against electrical shock

Connection must be made to a power supply system fitted with efficient earthing (Class I appliance according to standard EN 60598-1). It is, moreover, recommended to protect the supply lines of the projectors from indirect contact and/or shorting to earth by using appropriately sized residual current devices.



#### ➤ Disposing

This product is supplied in compliance with European Directive 2012/19/EU-Waste Electrical and Electronic Equipment (WEEE). To preserve the environment please dispose/recycle this product at the end of its life according to the local regulation.



#### ➤ Battery

This product contains a rechargeable lead-acid or lithium iron tetraphosphate battery. To preserve the environment, please dispose of the battery at the end of its life according to the regulation in force.



#### ➤ Lamp

The fitting mounts a high-pressure lamp that needs an external igniter. This igniter is fitted onto the apparatus. -Carefully read the "operating instructions" provided by the lamp manufacturer. -Immediately replace the lamp if damaged or deformed by heat.



#### ➤ Maintenance

Before starting any maintenance work or cleaning the projector, cut off power from the mains supply. After switching off, do not remove any parts of the fitting for at least 10 minutes. After this time the likelihood of the lamp exploding is virtually small. If it is necessary to replace the lamp, wait for another 15 minutes to avoid getting burnt. The fitting is designed to hold in any splinters produced by a lamp exploding.



## 3. Operating determinations

- This device is a moving-head for creating decorative effects and was designed for indoor use only.
- If the device has been exposed to drastic temperature fluctuation (e.g. after transportation), do not switch it on immediately. The arising condensation water might damage your device. Leave the device switched off until it has reached room temperature.
- Never run the device without lamp!
- Do not shake the device, Avoid brute force when installing or operating the device.
- Never lift the fixture by holding it at the projectorhead, as the mechanics may be damaged. Always hold the fixture at the transport handles.
- When choosing the installation-spot, please make sure that the device is not exposed to heat, moisture or dust. There should not be any cables lying around. You endanger your own and the safety of others!
- The minimum distance between light output and the illuminated surface must be more than 0.2 meters.
- Make sure that the area below the installation place is blocked when rigging, derigging or servicing the fixture.
- Always fix the fixture with an appropriate safety rope, Fix the safety rope at the correct holes only.
- Operate the fixture after having checked that the housing is firmly closed and all screws are tightly fastened.
- The lamp must never be ignited if the objective-lens or any housing-cover is open, as discharge lamps may explode and emit a high ultraviolet radiation, which may cause burns.
- The maximum ambient temperature 40° C must never be exceeded.
- Operate the device only after having familiarized with its functions. Do not permit operation by persons not qualified for operating the device. Most damages are the result of unprofessional operation!
- Please use the original packaging if the device is to be transported.
- Please consider that unauthorized modifications on the device are forbidden due to safety reasons!

---

➤ If this device will be operated in any way different to the one described in this manual, the product may suffer damages and the guarantee becomes void. Furthermore, any other operation may lead to dangers like short-circuit, burns, electric shock, burns due to ultraviolet radiation, lamp explosion, crash etc.

## 4. Rigging the fixture

### 4.1 Mounting



*Pay attention to the regulations of CE.*

*Installation by qualified staff to complete.*

- ☞ For the various mounting positions of the FIXTURE (standing on the floor, sideways or hanging) different accessories kits are available.
- ☞ Through this a safe and firm installation is assured.
- ☞ You'll find special connectors on the bottom side of the system which are put to use here.

### 4.2 Installing the Clamps

Please consider the respective national norms during the installation! The installation must only be carried out by an authorized dealer!

The installation of the projector has to be built and constructed in a way that it can hold 10 times the weight for 1 hour without any harming deformation.

The installation must always be secured with a secondary safety attachment, e.g. an appropriate catch net. This secondary safety attachment must be constructed in a way that no part of the installation can fall if the main attachment fails.

When servicing the fixture staying in the area below the installation place, on bridges, under high working places and other endangered areas is forbidden.

The operator has to make sure that safety-relating and machine-technical installations are approved by an expert before taking into operation for the first time and after changes before taking into operation another time.

The operator has to make sure that safety-relating and machine-technical installations are approved by an expert after every four years in the course of an acceptance test.

The operator has to make sure that safety-relating and machine-technical installations are approved by a skilled person once a year.

The projector should be installed outside areas where persons may walk by or be seated.

**Important!** Overhead rigging requires extensive experience CE, including (but not limited to) calculating working load limits, installation material being used, and periodic safety inspection of all installation material and the projector. If you lack these qualifications, do not attempt the installation yourself, but instead use a professional structural rigger. Improper installation can result in bodily injury and or damage to property.

The projector has to be installed out of the reach of people.

If the projector shall be lowered from the ceiling or high joists, professional trussing systems have to be used. The projector must never be fixed swinging freely in the room.

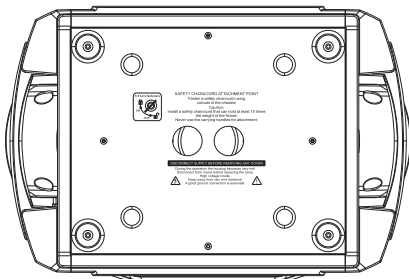
**Caution** Projectors may cause severe injuries when crashing down! If you have doubts concerning the safety of a possible installation, do not install the projector!

Before rigging make sure that the installation area can hold a minimum point load of 10 times the projector's weight.



The projector can be placed directly on the stage floor or rigged in any orientation on a truss without altering its operation characteristics.

For overhead use, always install a safety-rope that can hold at least 10 times the weight of the fixture. You must only use safety-ropes with screw on carabines. Pull the safety-rope through the two apertures on the bottom of the base and over the trussing system etc.



**Warning:** it is necessary to make sure that the installation location is perfectly appropriate, and the installation location is safe and reliable.

**1/4 turn fasteners**  
 SAFETY CHAIN/CORD ATTACHMENT POINT  
 Fasten a safety chain/cord using cutouts in the chassis!  
 Caution:  
 Install a safety chain/cord that can hold at least 10 times the weight of the fixture.  
 Never use the carrying handles for attachment.

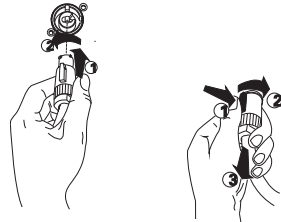
**DISCONNECT SUPPLY BEFORE REMOVING ANY COVER**  
 During the operation the housing becomes very hot!  
 Disconnect from mains before replacing the lamp.  
 High voltage inside.  
 Keep away from rain and moisture!  
 A good ground connection is essential.

### 4.3 Power supply connection and cut off

Connect the light source to the main power source with the plug of the power cord, or cut off the power supply:

Connection: according to procedures, the power plug and socket is inserted into the groove one one alignment, rotation.


Cut off: according to procedures, press the button on the rotating plug, pull out.



### 4.4 Power Connection

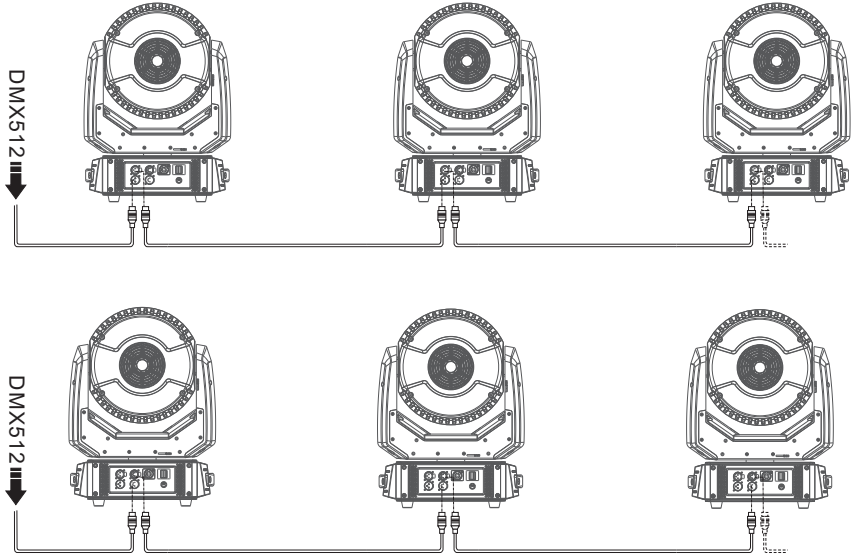
If you wish to change the power supply settings, see the chapter appendix Connect the fixture to the mains with the enclosed power cable and plug.

**Warning:** please verify the power of the power supply equipment prior to the connection! Earth wire must be grounded!

CABLE(EU)	CABLE(US)	Pin	INTERNATIONAL
Brown	Black	Live	<b>L</b>
Light blue	White	Neutral	<b>N</b>
Yellow/Green	Green	Earth	

## 4.5 DMX-512 connection/connection between fixtures

Only use stereo shielded cable and 3-pin XLR-plugs and connectors in order to connect.



### Caution

At the last fixture, the DMX-cable has to be terminated with a terminator. solder a 120 resistor between signal(-) and Signal (+) into a 3-pin XLR-plug and plug it in the DMX-output of the last fixture.

DMX output  
3-pin XLR socket

DMX input  
3-pin XLR socket

DMX output  
5-pin XLR socket

DMX input  
5-pin XLR socket



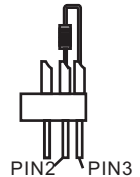
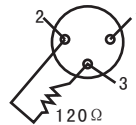
- 1: Ground
- 2: Signal (-)
- 3: Signal (+)



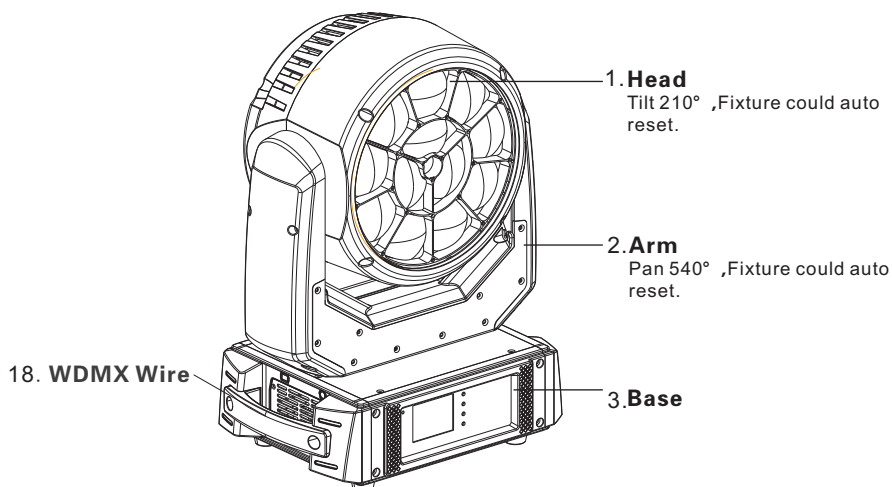
- 1: Ground
- 2: Signal (-)
- 3: Signal (+)
- 4: N. A.
- 5: N. A.

### DMX Terminator Diagram

-For installations where the DMX cable has to run a long distance or is in an electrically noisy environment it is recommended to use a DMX terminator. This helps in preventing corruption of the signal by electrical noise. The DMX terminator is simply an XLR plug with a 120Ω resistor connected between pins 2 and pins 3, which is then plugged into the output XLR socket of the last fixture in the chain.

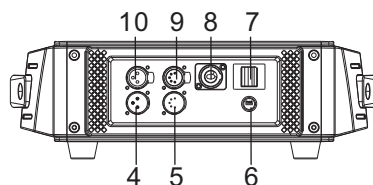


## 5. Description of the device



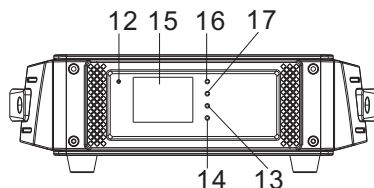
### BACK PANEL

- 4. 5-pin XLR female
- 5. 3-pin XLR female
- 6. Power-in
- 7. Power switch
- 8. Main Fuse
- 9. 3-pin XLR male
- 10. 5-pin XLR male
- 11. Network interface

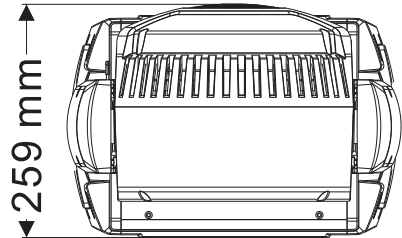
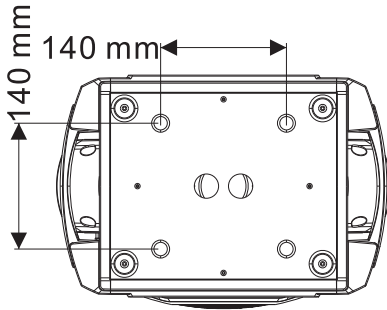
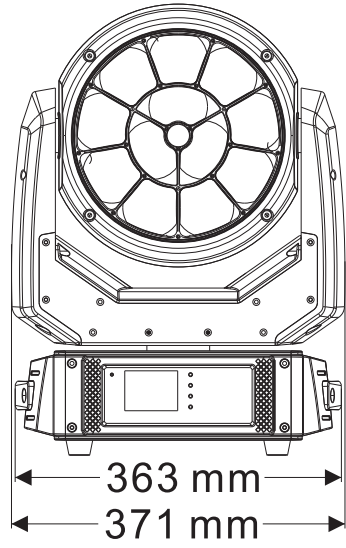
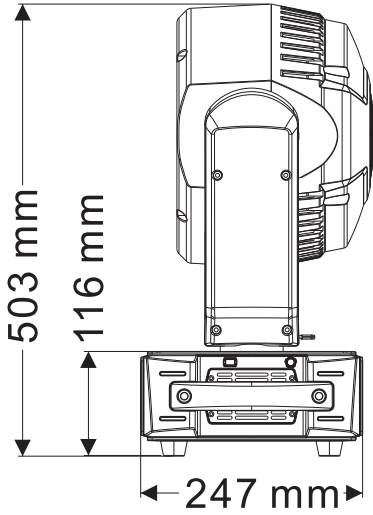


### CINTROL PANEL

- 12. Status indicator lamp
- 13. DOWN button
- 14. ENTER button
- 15. Touch screen(LCD display)
- 16. MODE button
- 17. UP button
- 18. WDMX Wire



## 6.Dimension



## 7.Display control

### 7.1 Navigation in the Menu

Using the buttons or touch screen, and this can be simply and easily set the address code and functions code.

If you view or modify the lighting feature set, then press ENTER button, the display will enter the menu interface. Both there is sub menu corresponding to the functional operation of the main menu. Each of the menus is representative of the specific features of the lamp. The specific contents shows as the table menu below.

Set or browse lighting function, press UP or DOWN button.

Press ENTER to save your changes or enter the submenu.Press the UP or DOWN can change the numerical (increase or decrease in value).

Press the MODE button to return to menu. Set a time 0 to 10 minutes automatically exit menu interface and close the screen.

### 7.2 Display Operation

Put through power supply, open the power switch of lamps and lanterns, display show the company LOGO website. According to the main interface, as shown in figure:

In the main interface, press "MODE" button to view the software version, press the "UP" "DOWN" can modify the DMX address.

Click on the main interface of the icon, numerical to view view Settings related information of lamps and lanterns.Symbols such as the main interface appear "△",the following error message indicates that there might be a lamps and lanterns,can click to view and control information content to modify the lamps and lanterns.

CODE #	ERRO INFO	CHECK MEASUREMENT	NOTE
E001	SpiFlashError	Check the welding of memory IC	RESET ERROR
E002	BD1Init Error	Check main cable ABAB ( 485 ) chip	
E003	BD2Init Error		Check the communication signal& welding of communication chip
E004	BusErr1		
E005	SPDError		
E006	BD1 BUS Error		
E007	BD2 BUS Error		
E008	Pan FB. Err	Check the light coupling line, optical coupling switch and a plate of the relative position measurement	
E010	Tilt FB. Err		
E009	Pan Zero Err	Check cable of sensor, distance and location of ,magnets and sensor	
E011	Tilt Zero Err		
E012	Zomm Err	Check the fan of head	
E013	B.Fan1 Error		
E014	B.Fan2 Error	Check the fan of head Lamp Fan	
E015	LED Fan1 Error		
E016	Prism Err	Check the fan of ArtNet、 communication signal	

### 7.3 Menu list

			Remark
Set up	DMX Address	DMX Address 001-XXX	
	Channel Mode	Mode 1 1-32	Default Mode 1
		Mode 2 1-24	
		Mode 3 1-24	
		Mode 4 1-18	
Fixture Id	0001-XXXX		
Information	Fixture Times	XXXXX h XX m	
		Reset LED Time	
	Error List		
	Diagnosis	BOARD 1: XX.XX%	
		BOARD 2: XX.XX%	
	Fans Monitor		
	DMX Values		
DMX Diagnosis			
Personality	Pan/Tilt	Pan Reverse ON/OFF	Default OFF
		Tilt Reverse ON/OFF	Default OFF
		Feedback ON/OFF	Default ON
	Dmx Input	Wired Input	Default
		Wireless Input	
		Wireless In/XLR out	
	Language	English	
		简体中文	
	Screen	Brightness	
		Screen Time out 0-10m	Default 2M
		Touch Screen ON/OFF	Default ON
		Auto Screen ON/OFF	Default ON
	Fan Mode	Auto	Default
High			
Silence			
Manusl Control	Reset	Reset ALL	
		Reset Pan/Tilt	
		Reset Zoom	
Channel			
Advanced	Calibration		
	Factory Default		
	Touch Calibration		

## 8.DMX protocol

### 8.1 Unit model

Mode1	Mode2	Mode3	Mode4	Fade Type	Function	Dmx Value
1	1	1	1	Pan	Pan	0-255
2	2	2	2	Pan Fine	Pan Fine	0-255
3	3	3	3	Tilt	Tilt	0-255
4	4	4	4	Tilt Fine	Tilt Fine	0-255
5	5	5	5	Pan/Tilt Speed/Time	Standard mode	0
					Max. speed mode	1
					Speed from max. to min. (vector mode)	2-255
					Reserved	0-49
6	6	6	6	Special Functions	To activate following functions , stop in DMX value for at least 3sec. and shutter must be closed at least 3sec.(Shutter channel 27/19/19/14 must be at range of 0-31DMX). Corresponding menu items are temporarily overrided.	
					Pan/Tilt speed mode	50-59
					Reserved	60-69
					Blackout while pan/tilt moving	70-79
					Disabled blackout while pan/tilt moving	80-89
					Theatre mode ON	90-99
					Theatre mode OFF	100-109
					Reserved	110-139
					To activate following reset function, stop in DMX value for at least 3 sec.	
					Pan/Tilt Reset	140-149
					Reserved	150-179
					ZOOM Reset	180-189
					Reserved	190-199
					Total Reset	200-209
Reserved	210-255					
*	7	*	7	Red-all zones	Red 0-100%	0-255
*	8	*	*	Red fine-all zones	Red fine	0-255
*	9	*	8	Green-all zones	Green 0-100%	0-255
*	10	*	*	Green fine-all zones	Green fine	0-255
*	11	*	9	Blue-all zones	Blue 0-100%	0-255
*	12	*	*	Blue fine-all zones	Blue fine	0-255
*	13	*	10	White-all zones	White 0-100%	0-255
*	14	*	*	White fine-all zones	White fine	0-255
7	*	7	*	Red-zones 2	Red 0-100%	0-255
8	*	*	*	Red fine-zones 2	Red fine	0-255
9	*	8	*	Green-zones 2	Green 0-100%	0-255
10	*	*	*	Green fine-zones 2	Green fine	0-255
11	*	9	*	Blue-zones 2	Blue 0-100%	0-255
12	*	*	*	Blue fine-zones 2	Blue fine	0-255
13	*	10	*	White-zones 2	White 0-100%	0-255
14	*	*	*	White fine-zones 2	White fine	0-255
15	*	11	*	Red-zones 3	Red 0-100%	0-255
16	*	*	*	Red fine-zones 3	Red fine	0-255
17	*	12	*	Green-zones 3	Green 0-100%	0-255
18	*	*	*	Green fine-zones 3	Green fine	0-255
19	*	13	*	Blue-zones 3	Blue 0-100%	0-255
20	*	*	*	Blue fine-zones 3	Blue fine	0-255
21	*	14	*	White-zones 3	White 0-100%	0-255
22	*	*	*	White fine-zones 3	White fine	0-255
23	15	15	11	CTC	保留	0-9
					8000K	10
					7000K	54
					6000K	99

Mode1	Mode2	Mode3	Mode4	Fade Type	Function	Dmx Value
23	15	15	11	CTC	5600K	117
					5000K	144
					4000K	188
					3200K	224
					2500K	255
24	16	16	12	Virtual Colour Wheel	For detailed description see " Virtual colour wheel- colour mixing chart.	
					No function	0
					White 2700 K	1-3
					White 3200 K	4-6
					White 4200 K	7-9
					White 5600 K	10-12
					White 8000 K	13-15
					Blue (Blue=full, Red+Green+White=0)	16
					Red=0, Green->up,Blue =full, White=0	17-55
					Light Blue (Red=0, Green=full, Blue =full, White=0)	56
					Red=0, Green=full, Blue->down, White=0	57-95
					Green (Red=0, Green=full, Blue =0, White=0)	96
					Red->up, Green=full, Blue=0, White=0	97-134
					Yellow (Red=full, Green=full, Blue=0, White=0)	135
					Red=full, Green->down, Blue=0, White=0	136-174
					Red(Red=full, Green=0, Blue=0, White=0)	175
					Red=full, Green=0, Blue->up, White=0	176-214
					Magenta (Red=full, Green=0, Blue=full, White=0)	215
Red -> down, Green=0, Blue=full, White=0	216-246					
Blue (Red=0, Green=0, Blue=full, White=0)	247					
Reserved	248-255					
25	17	17	13	Zoom	Zoom from min. to max. beam angle	0-255
26	18	18	*	Zoom fine	Fine zooming from min. to max.	0-255
27	19	19	14	Shutter/Strobe	Shutter closed	0-31
					Shutter open	32-63
					Strobe effect from slow--> fast	64-95
					Shutter open	96-127
					Opening pulses in sequences from slow--> fast	128-143
					Closing pulses in sequences from fast--> slow	144-159
					Shutter open	160-191
					Random strobe effect from slow --> fast	192-223
Shutter open	224-255					
28	20	20	15	Dimmer	Dimmer 0-100%	0-255
29	21	21	*	Dimmer Fine	Dimmer Fine	0-255
30	22	22	16	Laser effect	Reserved	0-9
					Prism indexing - set position on channel,31(Mode 1)、23(Mode 2)、23(Mode 3)、17(Mode 4)	
					Prism 1	10-14
					Prism 2	15-19
					Prism rotation- set position on channel,31(Mode 1)、23(Mode 2)、23(Mode 3)、17(Mode 4)	
					Prism 1	20-24
					Prism 2	25-30
					Shape Selection from slow to fast .- set position on channel 31(Mode 1)、23(Mode 2)、23(Mode 3)、17(Mode 4)	
					Effect 1	31-55
					Effect 2	56-80
					Effect 3	81-105
					Effect 1 + Prism 1	106-130
					Effect 2 + Prism 1	131-155
					Effect 3 + Prism 1	156-180
					Effect 1 + Prism 2	181-205



Mode1	Mode2	Mode3	Mode4	Fade Type	Function	Dmx Value
30	22	22	16	Laser effect	Effect 2 + Prism 2	206-230
					Effect 3 + Prism 2	231-255
31	23	23	17	Prism rotation	Prism indexing – Laser effec channel 30(Mode 1)、22(Mode 2)、22(Mode 3)、16(Mode 4) must be at range of 0-30DMX	
					Prism indexing	0-255
					Prism rotation – Laser effec channel 30(Mode 1)、22(Mode 2)、22(Mode 3)、16(Mode 4) must be at range of 0-30DMX	
					No Function	0-15
					Forwards Prism rotation from fast to slow	16-130
					No Rotation	131-140
					Backwards Prism rotation from slow to fast	141-255
					Prism rotation – Laser effec channel 30(Mode 1)、22(Mode 2)、22(Mode 3)、16(Mode 4) must be at range of 31-255 DMX	
					No Rotation ( Chase Effect )	0-13
					No Rotation ( Fade Effect )	14-27
					Forwards Prism rotation from fast to slow ( Chase Effect )	28-84
					Backwards Prism rotation from slow to fast ( Chase Effect )	85-141
					Forwards Prism rotation from fast to slow ( Fade Effect )	142-198
Backwards Prism rotation from slow to fast ( Fade Effect )	199-255					
32	24	24	18	Laser Dimmer	Laser Dimmer 0-100%	0-255

---

## 9. Maintenance and cleaning

**DANGER: Disconnect from the mains before starting any maintenance work.**

It is absolutely essential that the fixture is kept clean and that dust, dirt and smoke fluid residues must not buildup on or within the fixture. Otherwise, the fixtures light-output will be significantly reduced. Regular cleaning will not only ensure the maximum light-output, but will also allow the fixture to function reliably through out its life. A soft lint-free cloth moistened with any good glass cleaning fluid is recommended, under no circumstances should alcohol or solvents be used!

The front objective lens will require weekly cleaning as smoke-fluid tends to building up residues, reducing the light-output very quickly. The cooling-fans should be cleaned monthly.

The gobos may be cleaned with a soft brush, The interior of the fixture should be cleaned at least annually using a vacuum-cleaner or an air-jet.

There are no serviceable parts inside the device except for the lamp and the fuse.

Replacing the fuse: If the lamp burns out, the fine-wire fuse of the device might fuse, too. Only replace the fuse by a fuse of same type and rating. Before replacing the fuse, unplug mains lead.

Maintenance and maintenance of the operation, please contact the manufacturer or distributor.

## 10. Electric equipment specification

### 10.1 Electrical parameters

SOURCE: RGBW LED-40W+1W

Max POWER: 550W

VOLTAGE: AC100-240V 50/60HZ

Color Temperature: 6500K

### 10.2 Weight and dimensions

Dimensions : 371X259X503mm

NET WEIGHT: 16.5Kg

Dimensions (Carton Package) : 756X456X695mm

WEIGHT (Carton Package) : 22.5Kg

### 10.3 Channel Characteristics

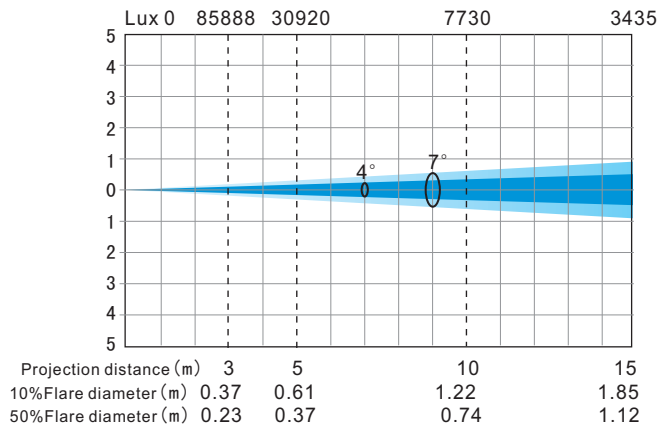
1. 32, 24, 24, 18 DMX channel.
2. Scan: Pan540°, Tilt210°, Fixture could auto reset.
3. Dimmer: linear dimmer.
4. Shutter: electronic shutter, random strobe.
5. Zoom: linear amplifier.

## 10.4 Menu Function

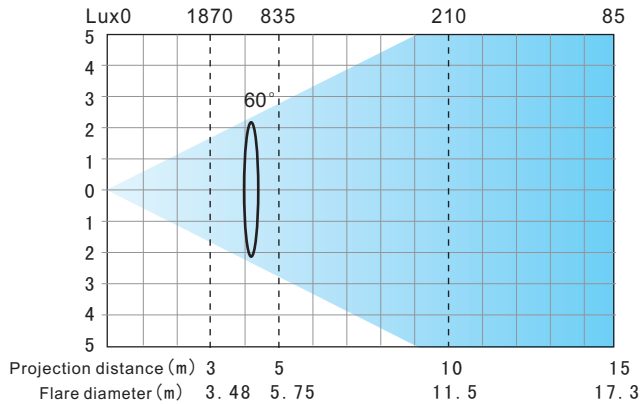
1. Touch screen, English menu.
2. DMX values and communication quality values can be displayed in each channel. .
3. Monitor could ON/OFF automatically.
4. Show fixture use time.
5. The DMX signal is disconnected, the amplification is automatically retracted.
6. Wireless input,wired input,wirelsss in/xlr out,ethnet input.
7. With DMX software upgrade.

## 10.5 light table

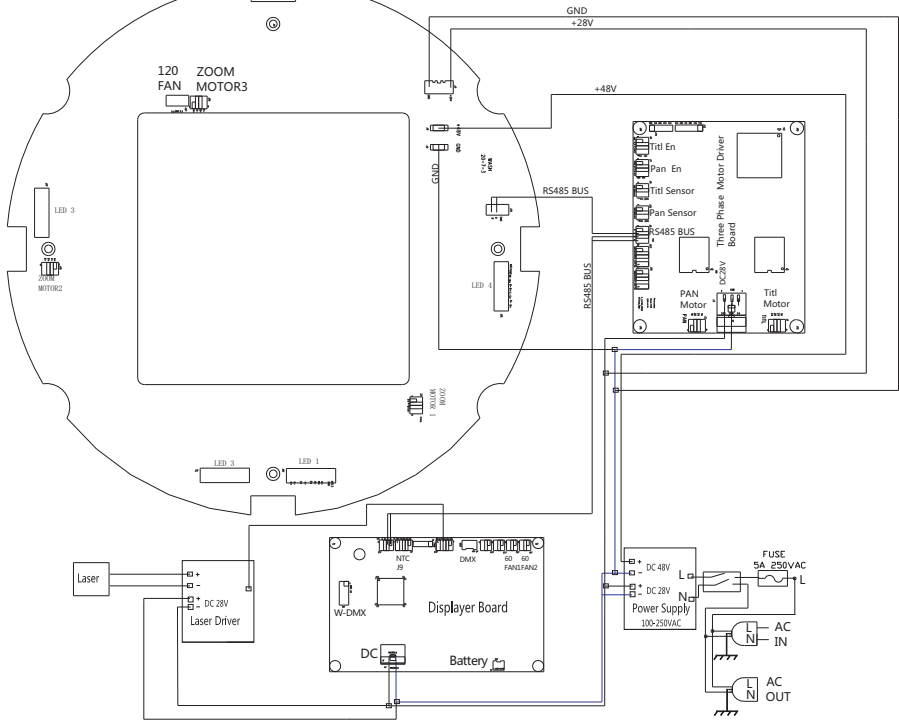
**Minimum Zoom with WHITE,RED,GREEN&BLUE(10%–50%)**



**Maximum Zoom with WHITE,RED,GREEN&BLUE(10%)**



## 11. Electronic drawing



**Note: The above contents for reference only and is subject to change without prior notice, please take specification you have on hand and our company reserves the final right of interpretation.**



