

VL3515 Spot

l u m i n a i r e



The VARI*LITE VL3515 Spot Luminaire provides the increased output of a 1500W lamp in a luminaire that offers the same famous features as the 1200W VL3500 Spot. Standard dual reflectors allow users to choose either a peaked or flat field beam.

The VARI*LITE VL3515 Spot luminaire maintains the same high standards for imagery, beam control, color and brightness set by the original VARI*LITE Series 3000 Spot luminaires, but with the added feature of a four-blade shutter mechanism that allows the blades to be operated independently or in unison on two planes for a clear and crisp image.

The VARI*LITE VL3515 Spot luminaire features 6:1 zoom optics, CYM color mixing, variable CTO color temperature correction, a six-position color wheel, two gobo/effects wheels, a shutter and separate dimmer and ultra-fast strobe mechanisms. A standard palette of gobos, effects and colors is provided with the unit. Custom gobos, effects and colors are available.

The VL3515 allows users to operate its single lamp at three different wattages via either a control channel setting or a lamp menu option. With only a setting adjustment, the fixture will run its short arc lamp at 900W, 1200W or 1650W without any detrimental effects on the lamp.

An upper enclosure houses the control electronics as well as the arc power supply for the 1500 watt short arc lamp. The arc power supply is power factor corrected for efficient power distribution. New, oversized upper-enclosure handles allow for easier hanging and loading.

The VL3515 Spot luminaire can be controlled from a wide variety of DMX512 consoles.

The luminaire is similarly sized in comparison to all other VARI*LITE Series 3000 luminaires, providing a consistent hang configuration and appearance no matter which luminaire type is required.

Programmable Functions

| | |
|--------------------------------|--|
| Color System: | A three-filter CYM cross-fading mechanism. A fixed color wheel with six interchangeable color filters and continuous wheel rotation for additional effects. It includes a variable CTO color temperature correction wheel. |
| Zoom Optics: | A 13-element 6:1 zoom optics system, covering a range from 10° to 60°. |
| Shutter Control: | A four-blade shutter mechanism that allows the blades to be operated independently or in unison on two planes for a clear and crisp image. The entire mechanism can rotate 50° in either direction. |
| Intensity Control: | Full field dimming designed for smooth timed fades as well as quick dimming effects. |
| Strobe: | High-performance dual blade strobe system capable of ultra-fast operation. |
| Rotating Gobo Wheels: | One gobo/effects wheel provides five rotatable, indexable gobo positions and one open position. |
| Fixed Gobo Wheel: | One fixed gobo/effects wheel provides six positions for standard or custom gobos and one open position. |
| Edge and Pattern Focus: | Variable beam focus to soften edges of gobos or spots. Remarkable depth of field capability allows morphing effects between all pattern and effects wheels. |
| Pan and Tilt: | Smooth, time-controlled continuous motion by way of three-phase stepper motor systems. |
| Range: | Pan - 540°, Tilt - 270°. |
| Accuracy: | 0.3° resolution. |

Description

| | |
|---------------------------------|--|
| Source: | Triple wattage, double-ended lamp. The lamp is capable of operation at 900W, 1200W or 1650W - mode selectable from fixture or console. |
| Color Temperature: | 6000K at 1650W and 6300K at 900W and 1200W |
| Fixture Output: | 24,987 lumens (Peaked Reflector) 21,918 lumens (Flat Field Reflector) |
| Power Requirements: | Standard AC power distribution from 200– 264 VAC, 50/60 HZ. The unit requires 8 to 12 A depending on the AC supply voltage. |
| Reflectors: | Precision glass reflector system with dichroic cold mirror coating. |
| Operational Temperature: | -20° to 104°F (-29° to 40°C). |
| Cooling: | Forced air cooling. |
| Control: | Completely compatible with a wide variety of DMX512 consoles. |
| DMX Channels: | 31 |
| Mounting Position: | The VL3515 Spot luminaire can be mounted and operated in any orientation. |
| Spacing: | Hangs on 26 in. (66 cm) centers. |
| Weight: | 94 lbs (43 kg). |

Ordering Information

| | |
|---------------------|--|
| Luminaires: | VL3515 Spot Luminaire, Black, Includes 1500W Short Arc Lamp |
| 20.9679.0002 | |
| Accessories: | |
| 71.9686.1510 | 1500W Short Arc Lamp |
| 22.9620.0194 | Safety Cable Assembly |
| 28.8500.0054 | USB Luminaire Programming Kit |
| 55.6840.0001 | Truss Hook, Mega-Clamp (For round and square pipe) |
| 55.6841.0001 | Truss Hook, Mega-Claw (For 2" round pipe) |
| PC1BE | AC Input Cable, PowerCon with Bare End (no connector), 1 Meter |
| PC1GTL208 | AC Input Cable, PowerCon with Twist Lock (Male), 250V, 1 Meter |



PHILIPS
VARI*LITE

VL3515 Spot

l u m i n a i r e

Specifications

The unit is an integrally designed, remote-controlled, motorized spot luminaire. The head, yoke and enclosure housings are constructed of aluminum alloy for light weight, strength and durability. Low-noise fans provide forced-air cooling for internal components. The rear cap is hinged, providing easy access to the lamp for replacement. Oversized upper-enclosure handles allow for easier hanging and loading.

A single PowerCon input connector along with two, five-pin DMX512 compatible connectors (in and through) are provided. The unit can be controlled from a wide variety of DMX512 consoles.

Each unit is equipped with an on-board processor providing diagnostic and self-calibration functions as well as internal test routines and software update capabilities.

The unit contains two independent three-phase stepper motors to provide movement of the head through 540° in the horizontal plane (pan) and 270° in the vertical plane (tilt). The pan and tilt mechanisms are belt-driven, providing positional resolution and repeatability of 0.3° on either axis.

A 6:1 zoom optics system adjusts the projected field angle over a range of 10° to 60°. Variable beam focus is provided to soften the edges of gobos or spots and to provide gobo morphing. The projected image remains in focus throughout the entire zoom range.

Standard dual reflectors shall allow users to achieve either a peaked or flat field beam.

The unit contains a CYM color mixing system, as well as variable CTO color temperature correction.

One fixed color filter wheel is included. The color wheel holds six interchangeable dichroic colors to allow for custom configurations. The unit comes equipped with a standard palette of dichroic color filters.

The fixture's shutter mechanism is comprised of four frame blades that move independently or in unison on two planes for a crisp, sharp image. The entire assembly operates in a smooth, time-continuous motion using stepper motors (two per frame blade and one for the entire mechanism). The shutter mechanism can rotate 50° in either direction and the frame blades can tilt +/- 30°.


Each luminaire has two gobo/effects wheels. One is a six-position rotating gobo wheel containing individually rotating, indexable gobos and patterned glass effects. One position on this wheel is open. A second gobo effects wheel is a seven position, fixed wheel and accepts six gobos with one position open. Each gobo/effects wheel is such that allows customization of the unit. The unit comes equipped with a standard set of gobos and effects. (A wide selection of colored and patterned gobos and effects is available from Vari-Lite.)

The unit contains a patterned glass dimmer wheel that provides full field dimming and allows for smooth timed fades and fast blackouts.

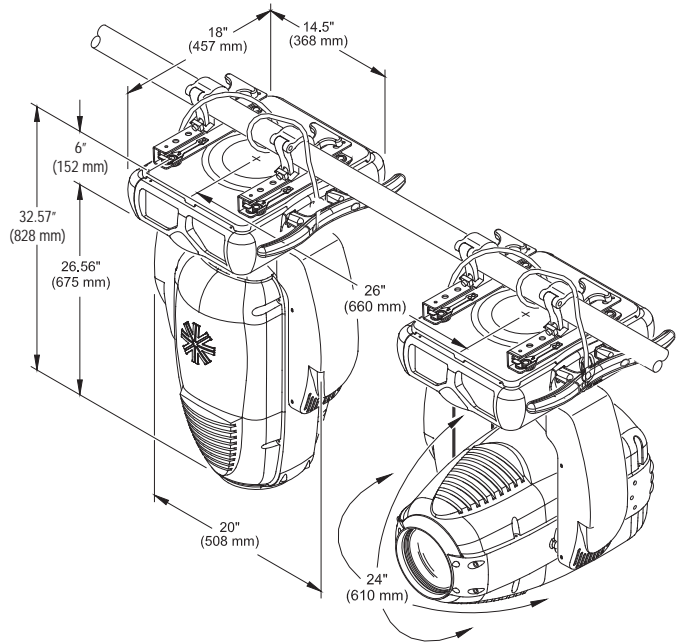
A dual blade strobe and dousing system provides variable strobe effects capable of rapid operation.

The unit shall be ETL and ETLc certified and CE-marked. Exterior finish is black.

PHILIPS
VARI*LITE

©2015 Philips Group. All rights reserved. Printed in the U.S.A. We reserve the right to change details of design, materials and finishes. Specifications are subject to change without notice. VARI*LITE automated lighting equipment is made in the U.S.A.

Hanging Dimensions



Photometric Data

| VL3015 Spot Luminaire - 1500W Metal Halide (Flat Field Reflector) | | | | | |
|---|---------------------|-------------------------|--------------|-----------------------|--------------------------------|
| Zoom Lens Position | Center Beam Candela | Center Beam Foot-Candle | Total Lumens | Field Angle (degrees) | Field Diameter TN ¹ |
| NFOV | 1,483,115 | 4,734 | 21,592 | 9.7 | 0.1695 |
| MFOV | 225,449 | 4,601 | 21,408 | 24.2 | 0.4286 |
| WFOV | 39,968 | 5,098 | 21,918 | 58.7 | 1.0714 |

| VL3015 Spot Luminaire - 1500W Metal Halide (Peaked Reflector) | | | | | |
|---|---------------------|-------------------------|--------------|-----------------------|--------------------------------|
| Zoom Lens Position | Center Beam Candela | Center Beam Foot-Candle | Total Lumens | Field Angle (degrees) | Field Diameter TN ¹ |
| NFOV | 1,779,487 | 5,680 | 24,472 | 9.7 | 0.1695 |
| MFOV | 272,930 | 5,570 | 23,215 | 24.2 | 0.4286 |
| WFOV | 47,902 | 6,110 | 24,987 | 57.2 | 1.0714 |

¹ Multiply distance by TN to determine field diameter.

To calculate center beam Illuminance (I), at a specific distance (D): $I = cd / D^2$

— if (D) is in feet, (I) is in foot candles

— if (D) is in meters, (I) is in lux

Notes:

All data taken with seasoned light source at 20 hours of life.

Fixture output = 24,900 lumens (Peaked Reflector) / 19,500 lumens (Flat Field Reflector).

Vari-Lite

10911 Petal Street

Dallas, TX 75238

1.877.VARILITE

fax: 214.647.8038

www.vari-lite.com



VL3515_Spot - 110115NA