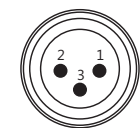
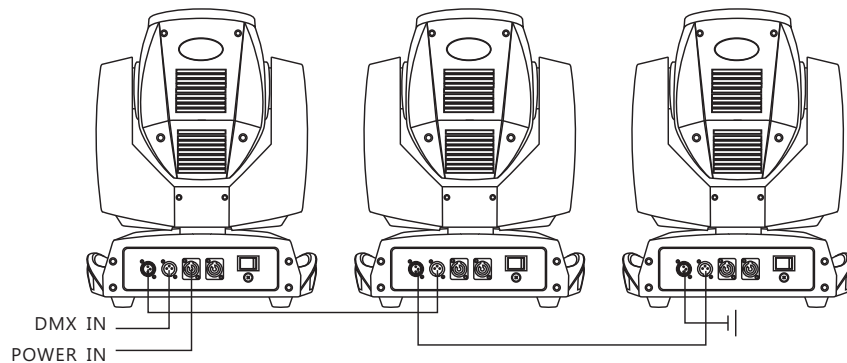
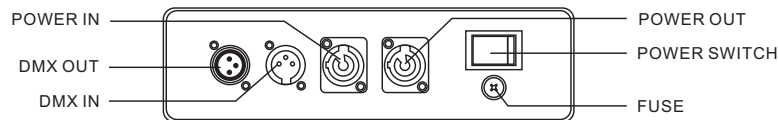


Regardless of the rigging option you choose for your JNR BEAM 200, always be sure to secure your fixture with a safety cable. The fixture provides a built-in rigging point for a safety cable on the hanging bracket as illustrated above. Be sure to only use the designated rigging point for the safety cable and never secure a safety cable to a carrying handle.

## 7 DMX-512 CONTROL CONNECTIONS

Connect the provided XLR cable to the female 3-pin XLR output of your controller and the other side to the male 3-pin XLR input of the moving head. You can chain multiple Moving head together through serial linking. The cable needed should be two core, screened cable with XLR input and output connectors. Please refer to the diagram below. DMX-512 connection with DMX terminator

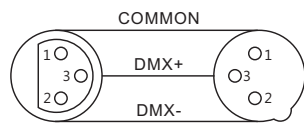


DMX Output  
3-Pin XLR Socket



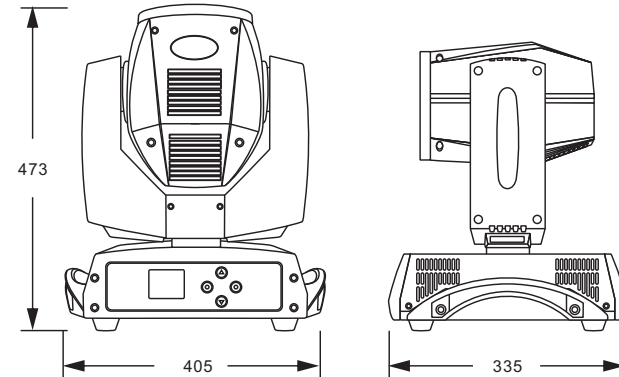
DMX Input  
3-Pin XLR Socket

1:Ground  
2:Data(-)  
3:Data(+)

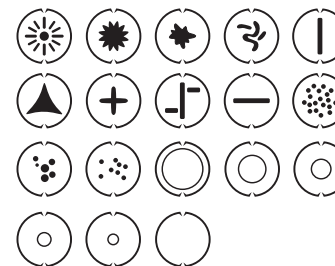


DMX512 OUT  
3-PIN XLR

DMX512 IN  
3-PIN XLR



Static gobos



Colors



## 4 PHOTOMETRIC DATA

Photometric Beam Angle Data  $3.8^\circ$  Beam Angle  $LUX \times 0.0929 = FC$

