

Rambo Legend II

USER MANUAL



Thank you for purchasing a product from our Rambo Legend II. Every suit has been thoroughly tested and shipped in perfect condition. Carefully check the shipping carton or flight case for damage that may have occurred during shipping. If the carton or flight case appears to be damaged, carefully inspect your unit for any damage and be sure all accessories necessary to operate the unit has arrived intactly. In the case damage has been found or parts are missing, please contact us for further instructions. Do not return this unit without any warning.

Contents

1. Safety Instructions	3
2. Technical Parameters	3
3. Schematic Lighting Components	4
4. Packing And Shipping	5
4.1 Packing	5
4.2 Transport protection locks	5
4.3 Unacking.....	6
5. Installation	6
5.1 Installing rigging	6
5.2 Fixed equipment	6
5.3 Data cable	7
6. AC Power	8
6.1 Fuse Size	8
6.2 Power Connection	8
7. Function	8
7.1 Lamp Description	8
7.2 Changing the Lamp	8
7.3 Correction Bulbs.....	9
8. Dynamic Effects	9
8.1 Gobo wheel	9
8.2 Color Wheel	9
8.3 Optical Lens Focusing	9
8.4 Prism Wheel And The Prism Enlarge	9
8.5 Dimming and strobe	10
8.6 Frost	10
8.7 Horizontal And Vertical Scanning	10
9. LCD Control	10
10. DMX Channels	11-13
11. Failure Scoreboard And Solutions	14
12. Cleaning	15

**FOR YOUR OWN SAFETY, PLEASE READ
THIS USER MANUAL CAREFULLY BEFORE
POWERING OR INSTALLING. SAVE IT FOR
FUTURE REFERENCE**

1. Safety Instructions

- Before using this product, please observe carefully the product is not unwrap or damage during trans-portion.
- As a result of damage during transporting , please do not use the lights, and contact with the dealer or manufacturer.
- Before running products, to ensure that the voltage and Hertz in accordance with the requirements of lights.
- It's very important, connecting ground wire to avoid the electric shock.
- This product is for dry indoor environment.
- This product must be installed on the sufficient space, adjacent to interface the shortest distance of 50 cm, to ensure that the lights will not crash each other.
- Before moving or repairing the product, please unplug the power.
- When it working, ensure that no inflammable and explosive near objects.
- When installing this product, please use the safety rope. When handling this product, lift the armrest base, rather than the lamp body.
- This product is suitable for a maximum temperature of 35 degrees Celsius, when the surrounding envi-ronment is higher than 35 degrees Celsius, please do not use this product.
- Do not touch. When working, the product runs very fast. Prevent hand injury.
- Problems happens when operating performances, should immediately stop using the lights.
- Do not carry out maintenance, repair damage caused or likely to cause other problems.
- Please contact the company's maintenance repair. During the repair process, use the same type of accessories.
- Please read the instructions carefully, especially regarding the installation, using, maintenance parts.
- Always transport the lighting in a packed anti-shock protection carton or flight case

2. Technical Parameters

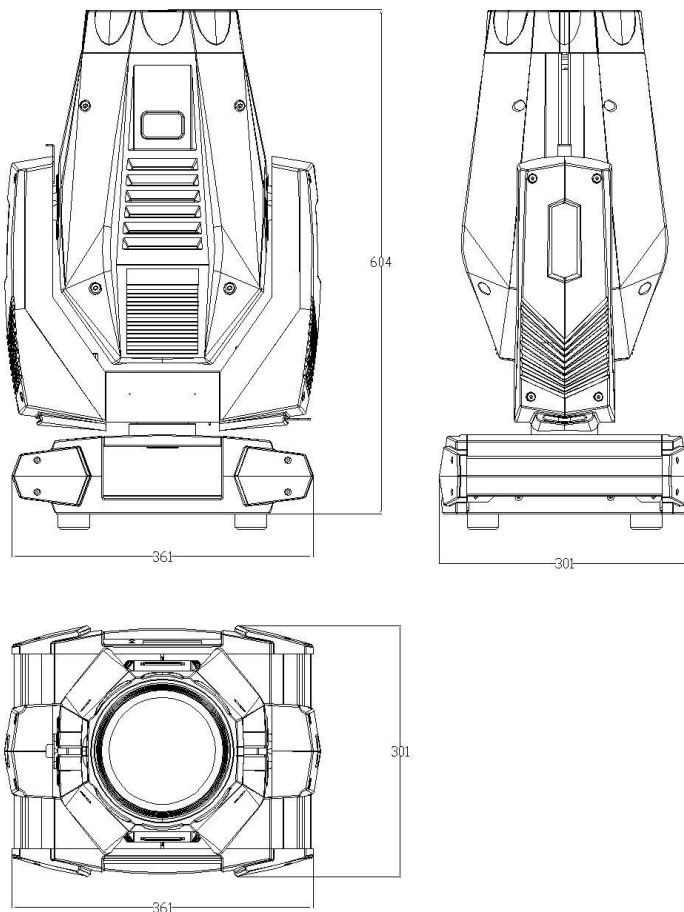
- DMX Channel: 16/24CHs
- Control model: DMX512,Auto model
- LED LCD Display+Press button, ENG/CHIN
- Display board intelligent flip function.
- Light Source: 17R 350W Phillip lamp
- Super fast and ultra silent 3-phase step motors
- Color temperature is 8000K, life span is 2000Hs.
- 13 Color with white, dual color effect.
- 14 fixed gobo with open circle
- 9 changeable rotating three-dimensional gobo with white, 3D effect.
- Prism: 8-facet +16-facet/ linear prism, selectable
- Optical Lens: High penetration coating lens
- Focus: Linear focus
- Beam Angle: 1.8 ° to 15 °
- Spot Angle: 5 ° -48 °
- Wash Angle: 7 ° -52 °
- Dimmer: 0-100% linear dimmer.
- Strobe: Two-blade strobe (0.5-13FPS)
- 16pcs super silent motors, pan&tilt 3-phase step motors,16bit.
- Housing: Fire resistant alloy plastic
- IP Rate: IP20
- Weight: 20.9KG
- Size: 361*301*604mm

3. Schematic Lighting Components

Parts



Dimensions



4. Packing And Shipping

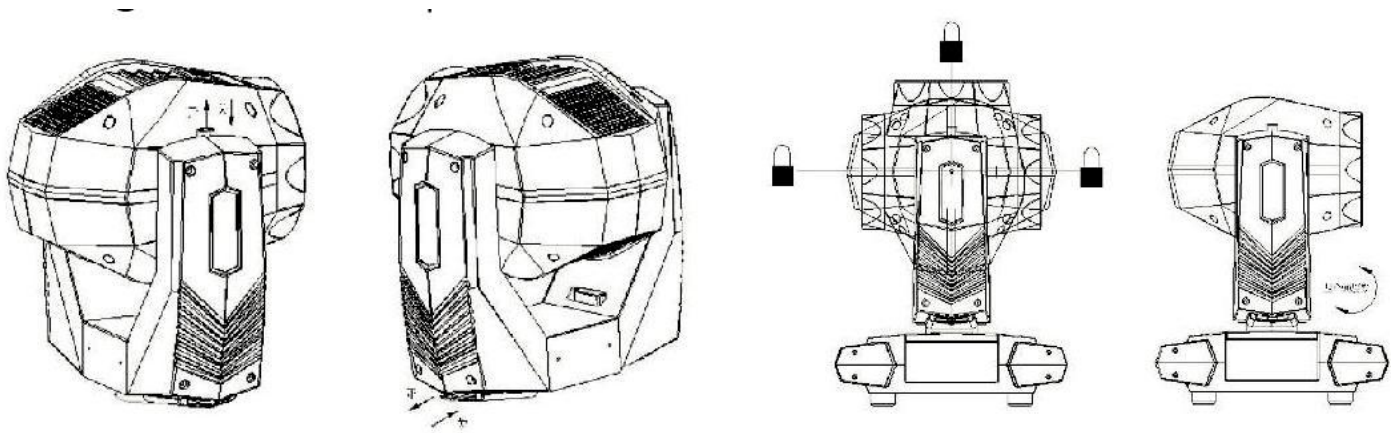
4.1 Packing

Moving Head Beam Spot Wash light is packaged by carton or standard 2in1flight case.(selectable 1in1 or 4in1), Ran-dom accessories items shown below

Name	Quantity	Unit
User manual	1	piece
Signal line	1	piece
Safe rope	1	piece
Hanging lamp hook and fastener	2	piece
Power line	1	piece

4.2 Transport protection locks

In order to transport it easy to protect the lamp body has two locks (XY axes each a lock), X-axis has four lock position, Y-axis triple lock, lock locked in the center position in the transport and light a vertical position with the arm member



Pan protection lock

Tilt protection lock

Lock position sketch map

4.3 Packing

1. Disconnect the power supply so that the lamp to cool completely before packaging equipment, at least 15 minutes or more.
2. Closing the light protect lock, when clean the surface of the light dust
3. Cover the light, seize the equipment both sides aluminum handles on to make it upside down and gently placed in the box.
4. Add lighting accessories after placing the light in box.
5. Up to two crates stacked prohibited upside down.

4.4 Unpacking

1. Open the box and bag
2. Seizing the equipment handles, lifting and carrying away the light from the box .Or opening the flight case cover placing lift boom close to the light base, then equipping light hook on light base bottom tigh-tening Quick Install locks. At last rising away boom to the top of the lamp from flight case, put the flight case away.
3. Before turing on the light,should open the light protecting lock

Note:

Upon receipt of lamps, please check if there is damage to the fold closure caused by transport, where there is transportation damage, please do not use this fixture, and as soon as possible contact

Users should ensure that light and installation materials are checked for regular safety checks, Unprofessional incorrect installation can lead to dangerous, if the lack of working conditions and professional standards, please operate the light by professionals. Do not use the light if the working temperature isn't 15°-40° .When the lighting installation, dismantling, moving, or servicing, do not stand directly beneath the lamp. The operator must ensure that the fixtures are secure connection, installing the light after professionals approving electrical parameters make sure that these installation must be checked at least once per year by experts

5. Installation

5.1 Installing rigging

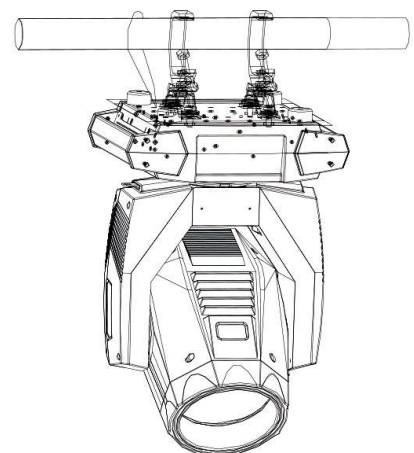
RAMBO-350W BSW moving head lights can be placed on the stage or on a stand in any direction. Quick lock system can quickly and easily remove or install a light hook.

Note:

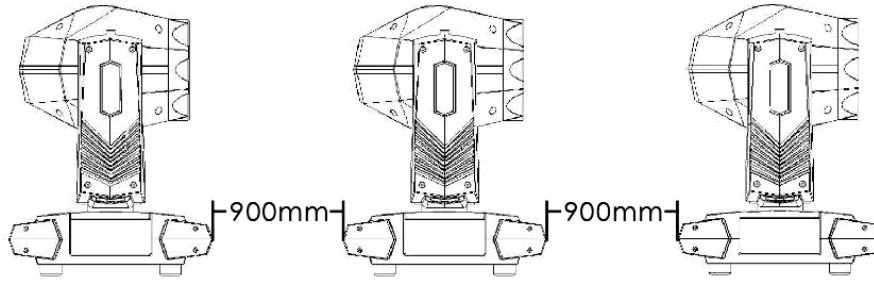
Must use two clamps fixed equipment, and are 1/4 buckle fastening jig, only fully rotated 90 degrees clockwise to lock fastener.

5.2 Fixed equipment

1. Before installing fixtures must verified rigging equipments are not damaged, and can bear at least 10 times of light's weight. Check the building can be beared at least 10 times of total weights of light, fixture, and cable accessories
2. Insert the locked hook fastener into base mounting holes horizontally, grab the handle clockwise 90 degrees fasteners, in the same way to install a second fastener, make sure the fastener is fastened under the light base.
3. If truss can be lifted the equipment can be directly clamped from flight case and locked fixture base. Then hung on the light and using safety rope fixed it. Before rising the light to right height, connect the power cord and signal cable.



Add a safety rope attached the light's base insurance shelf, do not connect the device handle.



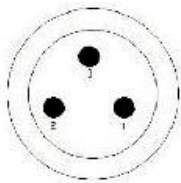
Lights must be placed vertically upward. The shortest distance between working lights must be more than or equal to 900mm. Layout the lighting installation as shown above..

5.3 Data cable

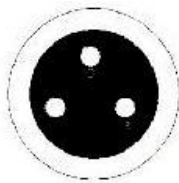
Data cable is DMX512 signal

Signal line connections is X-type connector, X-type connector-----If the external flexible cable or cord of this light is damaged, please replace professional cable or cord from the manufacture or its agent.Lights' DMX input and output connects to a three-pin XLR and five-pin XLR insert, first pin is grounded, then negative signal is second pin, third pin connects to the positive polarity signal, fourth and fifth are empty.

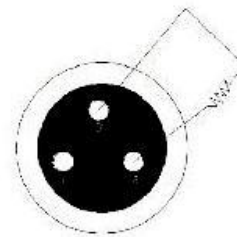
In order to prevent reception reflection and interference control signal, a terminal plug must be installed on the first branch of the connected device last 3-pin output jack.



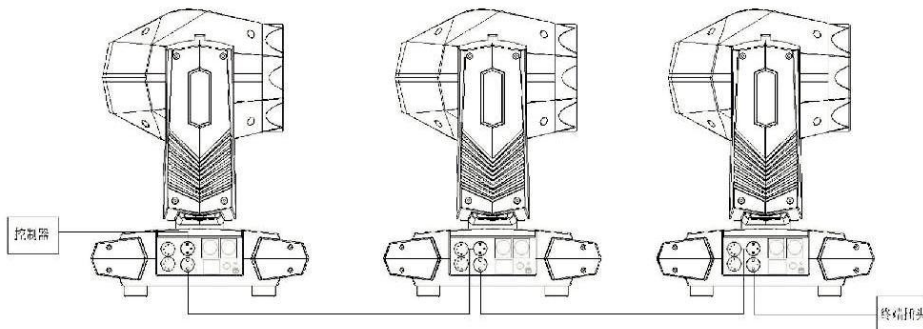
3XLR plug
 1.Grounding
 2.Signal-
 3.Signal+



Terminal plug connect with XLR plug second or third by a 0.25w 120ohm resistor, then connect the resistor into last light's DMX output jack



The controller connects to the nearest input XLR 3-pin, then from the output of the device connects to the input of the next device, continuous connection one by one, the final output data cable terminal equipment plug one end into the terminal.



If the signal transmission is long-distance , 512 signal amplifier must be added. DMX512 signal controller connect to the input of the amplifier first, then connect to the fixture from its output, couple with the terminal plug last.

Do not use two separate output connections. To connect the branch, a separating consecutive DMX512 signal amplifier must be used to separate.

Please use the shielded twisted-pair cable. Standard microphone cables can not be reliably controlled long-distance data.

6. AC Power

6.1 Fuse Size

Power: 100-240v

Fuse: 8A 5 * 20 main fuse

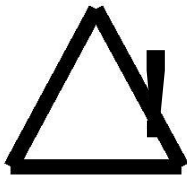
6.2 Power Connection

If the external flexible cable or cord of this light is damaged, the line is up to the manufacturer or its service agent or a similar qualified person to replace, in order to avoid danger. Connect the power supply personnel must have the appropriate qualifications before proceeding, you must make sure you are using the power supply voltage matches the voltage identified and have overload or leakage protection. Directly connect the device to the power supply, do not connect to the silicon box dimming system, otherwise damage to the equipment.

7. Function

7.1 Lamp Description

Rambo Legend 350W BSW moving head light is used with Phillip Single-ended lamp is short arc point light source, and its color temperature is 8000K and very stable, CRI>90. Life span is over 2000 hours (according the using situation)



Attention!

1. Do not install other similar lamps. It will cause safety hazards or equipment damage.
2. To reduce the risk of damage to the light, replace the lamp before its life is over
3. Do not use the banned scratched and damaged bulb.

7.2 Changing the Lamp

1. Disconnect the power, so that the lamp cooling, the arm of the lamp body lock locked in a horizontal position.
2. Split bulbs: Remove the cover which is written "split this cover to replace the lamp head cover"
3. Use a Phillips screwdriver to remove the fan two thumb screws fixed side.
4. With the appropriate force, push down the bulb when the lamp cup beyond the edge of the stainless steel shrapnel, taking up the lamp.
5. To install the bulb, reverse these steps.



Attention!

Avoiding oil stained hands.

2. To prevent damage, make sure you handle the lamp with care when installing and dismantelling. Do not let the bulb hit hard objects around it as it will cause damage.

7.3 Correction Bulbs

1. When replacing a lamp do not touch the bulb with bare hands.

Lamp has been corrected before selling. In the rare case the lamp may need correction, follow these steps:

1. The light is reseted by turning on the power, using the menu or console light bulb to play a bunch of white beam.
2. Using Phillips screwdriver to open the light body one bonnet side which is printed "this cover to replace the lamp"
3. Using a flathead screwdriver to adjust the lamp bracket adjustment screw, turn the screw clockwise or counter clockwise, and the lamp can be right or left to adjust.

8. Dynamic Effects

8.1 Gobo wheel

Metal gobo with 14 gobos plus white.

Glass Gobo with 9 rotating gobo

8.2 Color wheel

Color wheel is made by 14 high standard fixed color, the user can easily select their own favorite color, to create a perfect lighting effect. Use the gobo wheel at same time is better. It can be easily transformed a colorful gobo effect. (According to customer needs may change at any time own custom various color wheel).

8.3 Optical Lens Focusing

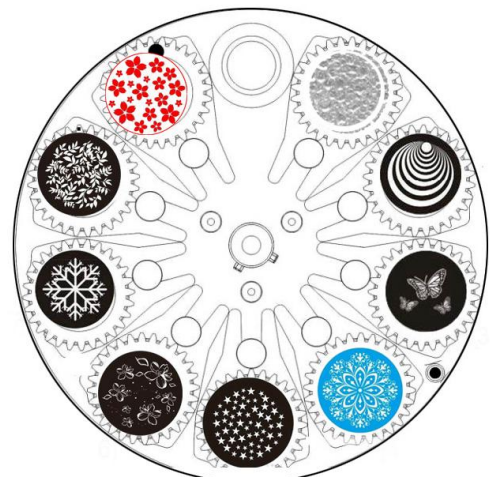
Super silence motors with belt synchronous working, and two sets Adjust optics lenses to adjust focus from 7 degree to 52 degree make perfect focus function.

8.4 Prism Wheel And The Prism Enlarge

Clockwise and counterclockwise rotating, speed is adjustable. Prism wheel can be created a variety of brilliant lighting effects with color wheel and gobo wheel. Prism wheel through two high-precision ultra-fast eight-head screw motor spot size adjustment cut prisms, and creates a wonderful prism dynamic effects.



Gobos



Spot Rotating Gobo Wheel:

8.5 Dimming and strobe

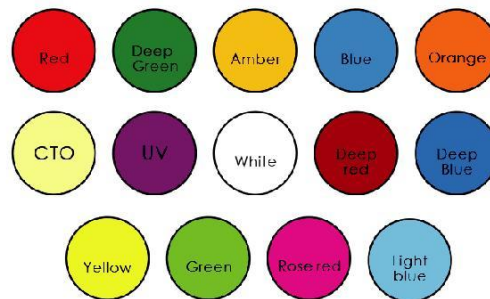
0-100% mechanical dimmer, you can instantly switch freely adjustable strobe speed up to 12 times / sec, along with random strobe special features.

8.6 Frost

Frost is a piece of atomizing lens, according to the actual control to complete the frost effect as your want .

8.7 Horizontal And Vertical Scanning

Pan: 540°, Tilt 270° with 16BIT precise positioning capabilities. Horizontal and vertical speed is adjustable.



Colors

9. LCD Control

DMX Address

Address setting, operate touch screen to set the address, press the 6th enter key to save the selected address.

Information

Fixture times, power on times, power on number, lamp on times, lamp on number

Setting

1. DMX presets 1. mode1 16CH 2. model 24CH
2. Display Intensity Display brightness 0-255 can optionally from dark to light
3. Display saver Delay 0-600 Screensaver time settings

Pan Reverse off/on Tilt

Reverse off/on

Blackout pan/tilt off/on

Reset Total system Reset

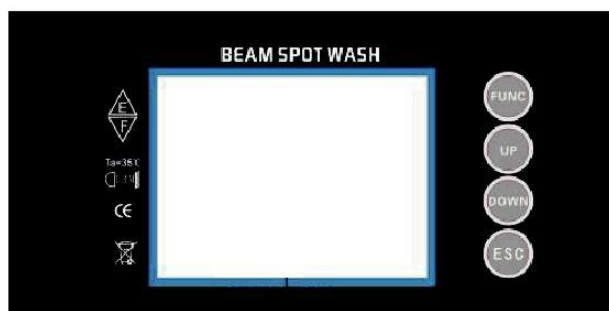
pan/tilt reset | color system reset | gobo system reset | strobe reset | optics reset

Manual control

Auto mode1/2/3

Calibrations

Internal control



LCD Display

Enter Access Code

Select 003 code then press enter into setting Pan, tilt, color, static gobe, Rot. gobo, rotating gobo, prism

1 prism rotation, prism 2, prism 2 Rotation, zoom, frost, focus, immer

Right1 lamp Icon

- Lamp status on/off
- Setting lamp on power off/on
- Control mode DMX/AUTO/SOUND
- Default settings
- Menu operating

10. DMX Channels

Channel	Value	Description
1: PAN	0-255	PAN 540 degree
2: pan: fine	0-255	Pan fine
3: Tilt	0-255	Tilt 270 degree
4: tilt: fine	0-255	Pan fine
5: pan/tilt: speed	0-255	Pan&tilt speed adjustment
6: function	130-139	lamp on
	140-149	pan&tilt reset
	150~159	color wheel reset
	160-169	gobo wheel reset
	170-179	strobe reset
	180-189	zoom/focus/prism reset
	200~209	complete reset
	230-239	lamp off
7: color: wheel	0	white
	9	dark red
	18	dark blue
	27	yellow
	37	green
	46	carmine
	55	Sky blue
	64	red
	73	dark green
	82	amber
	91	blue
	101	orange
	110	CTO
	119	uv
	128-129	white
	130~134	dark red
	135~138	dark blue
	139~143	yellow
	144~147	green
	148~152	carmine
	153~157	sky blue
	158~161	red
	162~166	dark green
	167-171	amber
	172-176	blue
	177~180	orange
	181~185	CTO
	186~189	uv
	190~220	clockwise rainbow effect from fast to slow
	221~224	static
	225~255	anticlockwise rainbow effect from slow to fast

8: color wheel (fine: positioning)	0-255	color wheel fine positioning
9: Frost	0~255	Frost linear changeable
10: static gobo wheel	0~3	white
	4~9	gobo 1
	10~15	gobo 2
	16~21	gobo 3
	22~27	gobo 4
	28~33	gobo 5
	34~39	gobo 6
	40~45	gobo 7
	46~51	gobo 8
	52~57	gobo 9
	58~63	gobo 10
	64~69	white 1
	70~75	white 2
	76~81	white 3
	82~87	white 4
	88~95	gobo 1 shake
	96~103	gobo 2 shake
	104~111	gobo 3 shake
	112~119	gobo 4 shake
	120~127	gobo 5 shake
	128~135	gobo 6 shake
	136~143	gobo 7 shake
	144~151	gobo 8 shake
	152~159	gobo 9 shake
	160~167	gobo 10 shake
	168~175	white 1 shake
	176~183	white 2 shake
	184~191	white 3 shake
192~199	white 4 shake	
200~201	white	
202~227	clockwise from fast to slow	
228~229	static	
230~255	anticlockwise from slow to fast	
11: rotating gobo wheel	0	white
	01~04	the biggest fixed open circle
	5~7	rotating gobo 1
	8~10	rotating gobo 2
	11~13	rotating t gobo 3
	14~16	rotating t gobo 4
	17~19	rotating gobo 5
	20~22	rotating gobo 6
	23~25	rotating gobo 7
	26~28	rotating gobo 8
	29~31	rotating gobo 9
	32~34	rotating gobo 1 auto rotating

11: rotating gobo wheel	35~37	rotating gobo 2 auto rotating
	38~40	rotating gobo 3 auto rotating
	41~43	rotating gobo 4 auto rotating
	44~46	rotating gobo 5 auto rotating
	47~49	rotating gobo 6 auto rotating
	50~52	rotating gobo 7 auto rotating
	53~55	rotating gobo 8 auto rotating
	56~59	rotating gobo 9 auto rotating
	60~67	rotating gobo 1
	68~75	rotating gobo 2
	76~83	rotating gobo 3
	84~91	rotating gobo 4
	92~99	rotating gobo 5
	100~107	rotating gobo 6
	108~115	rotating gobo 7
	116~123	rotating gobo 8
	124~129	rotating gobo 9
	130~1371	rotating gobo 1 auto rotating
	138~145	rotating gobo 2 auto rotating
	146~153	rotating gobo 3 auto rotating
	154~161	rotating gobo 4 auto rotating
	162~169	rotating gobo 5 auto rotating
	170~177	rotating gobo 6 auto rotating
	178~185	rotating gobo 7 auto rotating
	186~193	rotating gobo 8 auto rotating
	194~199	rotating gobo 9 auto rotating
	200~201	white
	202~227	gobo clockwise from fast to slow
228~229	static	
230~255	gobo anticlockwise from slow to fast	
12: rotating gobo auto rotating	1~127	Gobo rotating from fast to slow
	128~255	gobo rotating anticlockwise from slow to fast
13: rotating gobo positioning	0~255	auto rotating fine
14: prism	0~19	open circle
	20~49	prism 1 static
	50~75	prism 1 rotating
	76~105	prism 2 static
	106~127	prism 2 rotating
	128~188	Prism 1 & prism 2 overlap rotating
	189~255	White
15: prism rotating	0	static prism
	1~127	clockwise from fast to slow
	128~129	static
	130~255	anticlockwise from slow to fast
16: prism rotating from clockwise & anticlockwise	0~127	Prism overlap anticlockwise
	128~255	Prism overlap clockwise
17: zoom	0~255	empty
18: zoom: fine	0~255	empty
19: focus	0~255	empty
20: focus: fine	0~255	empty

21: uniform light	0~127	empty
	128~255	Uniform light
22: strobe	0~31	strobe off
	32~63	strobe on
	64~95	strobe from slow to fast
	96~127	strobe on
	128~143	strobe on from slow to fast
	144~159	Strobe off from fast to slow
	160~191	strobe on
	192~223	random strobe from slow to fast
	224~255	strobe on
23: dimmer	0~255	0-100
24: dimmer: fine	0~255	dimmer fine

11. Failure Scoreboard And Solutions

Listed below are common approaches in the operation of a few common problems.

- **Problem A: The lamp is not working, the bulb is not lit, the fan does not work**
 - Solution 1:* Check the power supply or the fuse is burned
 - Solution 2:* The main power connector on the voltage detector
- **Problem B: connect control units, lighting does not respond**
 - Solution 1:* After connecting control units, lighting should be working. If it is not working properly, check the signal cable plugs and wires are connected correctly.
 - Solution 2:* If the lamp is lit display, but the channel does not respond, check the address code is set correctly and DMX output voltage polarity.
 - Solution 3:* DMX signal problems if your lighting is off, check the input terminal and the circuit board
 - Solution 4:* Please change another one DMX controller
 - Solution 5:* Check whether the signal cable near high voltage power lines caused DMX display board inside the wire damage.
- **Problem C: some channel is not working**
 - Solution 1:* stepper motor may be damaged, or the line connecting the motherboard burned out
 - Solution 2:* IC driver board on the motherboard may be damaged

12. Cleaning

Regularly clean the outside of the optical lens focusing on the dust. Based on the number of lamps use a clean environment to determine: **Are they moist, smoked or is the surrounding environment particularly dirty, which can cause dust deposition lamps.**

Please use a glass cleaning solution and a soft cloth to wipe the focusing optical lens. Carefully dry each part. At least 20 days to clean the dust outside a lens, the lens inside 30-60 days to clean up the dust once. Regular inspection lamp fan and bottom case fan, a fan of at least 20\days to clean up dust deposition.

Cleaning must be executed in case of power failure.

IMPORTANT INFORMATION!

In order to optimize the recovery and recycling of the materials that old appliances contain and reduce the impact on human health and the environment, please make sure that this product is recycled at the end of its life.

Note: *All information is subject to change without prior notice.*