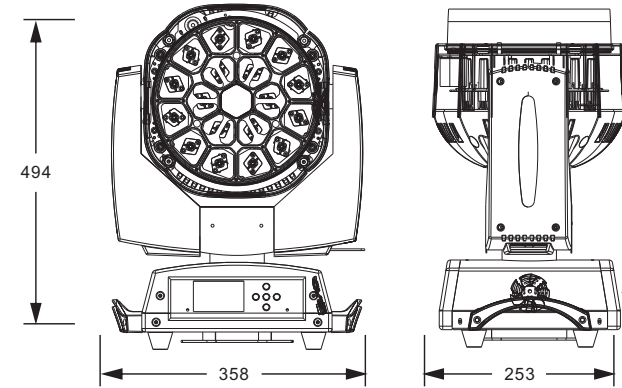
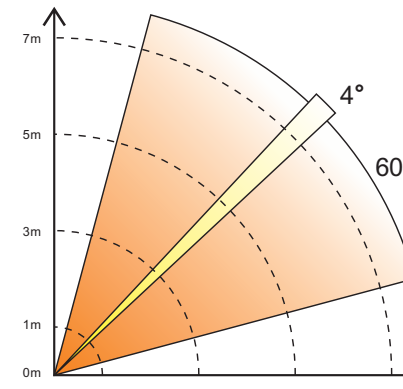


						226-238	Random medium strobe
						239-251	Random fast strobe
						252-255	Open
12	12	12	12	12	Dimmer	0-255	0-100% Linear dimmer
13	13	13	13	13	Dimmer fine	0-255	Fine control of dimmer
14	14	14	14	14	PAN	0-255	0~540° PAN movement
15	15	15	15	15	PAN fine	0-255	Fine control of PAN
16	16	16	16	16	TILT	0-255	0~230° TILT movement
17	17	17	17	17	TILT fine	0-255	Fine control of TILT
18	18	18	18	18	No function		
19	19	19	19	19	Reset	0-25	No function
						26	Zoom reset
						27-76	Zoom reset
						77	PAN/TILT reset
						78-127	PAN/TILT reset
						128	Complete reset
129-255	Complete reset						
20	20	20	20	20	Zoom	0-255	0-100% Linear zoom
21	21	21	21	21	Zoom rotation	0-127	Linear rotation
						128-190	Slow rotation
						191-192	Stop
						193-255	Slow rotation
/	22	/	/	22	Shape selection	0-7	Macro OFF
						8	Ring 1
						9	Ring 2
						10	Ring 3
						11	No function
						12	Ring 1+2
						13	Ring 1+3
						14	No function
						15	Ring opening (closing)
						16	Ring opening (closing)filled
						17	Ring opening (closing/open)
						18	Ring opening (closing/open)filled
						19	Random pixels distributed on many fixtures
						20	Random pixels with varisble density and speed
						21	Rainbow 1 varisble speed
						22	Rainbow 2 fixed speed with variable color offset
						23	Fan (3 ams)
						24	Bar (2 ams)
						25	Half moon
						26	Triangle
27	Two rotating bars of different colors						



4 PHOTOMETRIC DATA

PHOTOMETRIC BEAM ANGLE DATA (FC=LUX × 0.0929)



< 4° >

R	9850	3390	1710	870
G	13200	4110	1870	1040
B	23740	6860	2860	1450
W	19230	5370	2640	1520
RGBW	53210	18970	7890	4370

< 60° >

R	2610	280	110	50
G	3040	320	120	60
B	4800	590	180	100
W	4520	410	165	90
RGBW	13950	1550	520	280